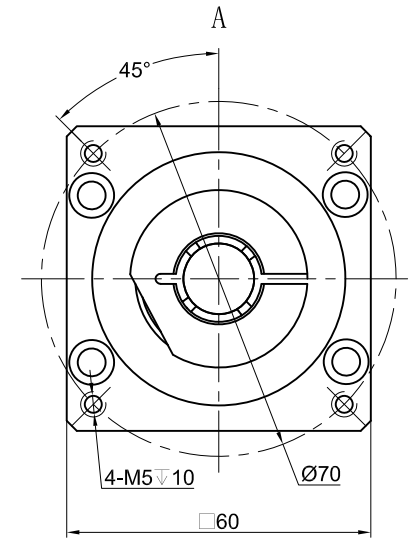
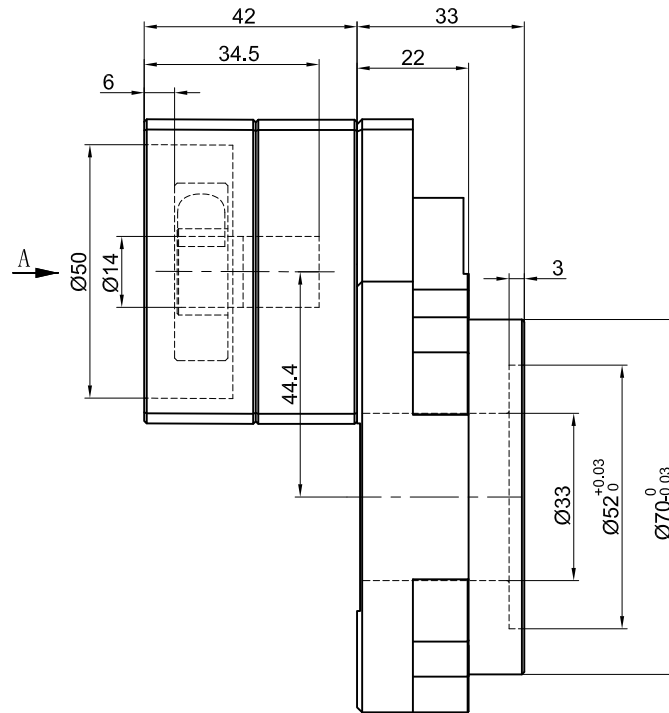
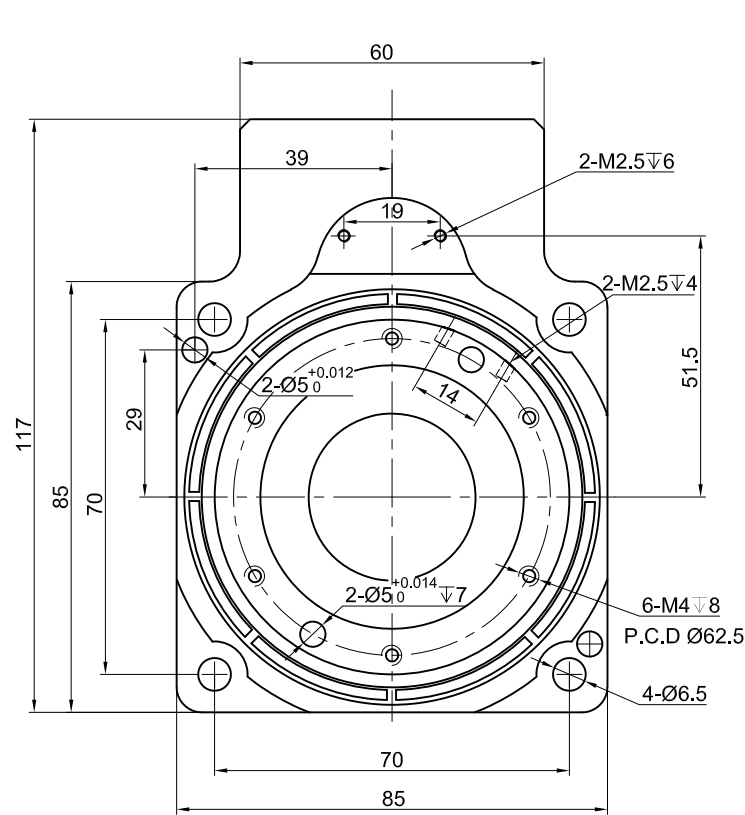
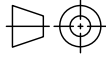
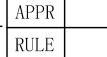
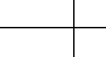
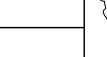



Customer name:



Allowable torque	N.m	16	Bearing type	Cross roller bearing	Sign/Date	Mark	No.	Sign	Date	Precision Planetary Reducer	GMN085	
Allowable disk output speed	rpm	200	Positioning accuracy	arcmin								3
Allowable axial load	N	500	Repeat positioning accuracy	arcmin	±10	NOTE	DRAW	CHEC	APPR	RULE	GMN085-10	
Allowable moment of inertia load	N.m	28	Concentricity of rotating platform		±0.01							
Moment of inertia	kg.m <sup>2</sup>	21090x10 <sup>-7</sup>	Parallelism of rotating		±0.015						Shaft Type	Precision
Precision	H	20000	Parallelism of rotating		±0.005							
Weight	kg	1.4	Protection class		IP40							