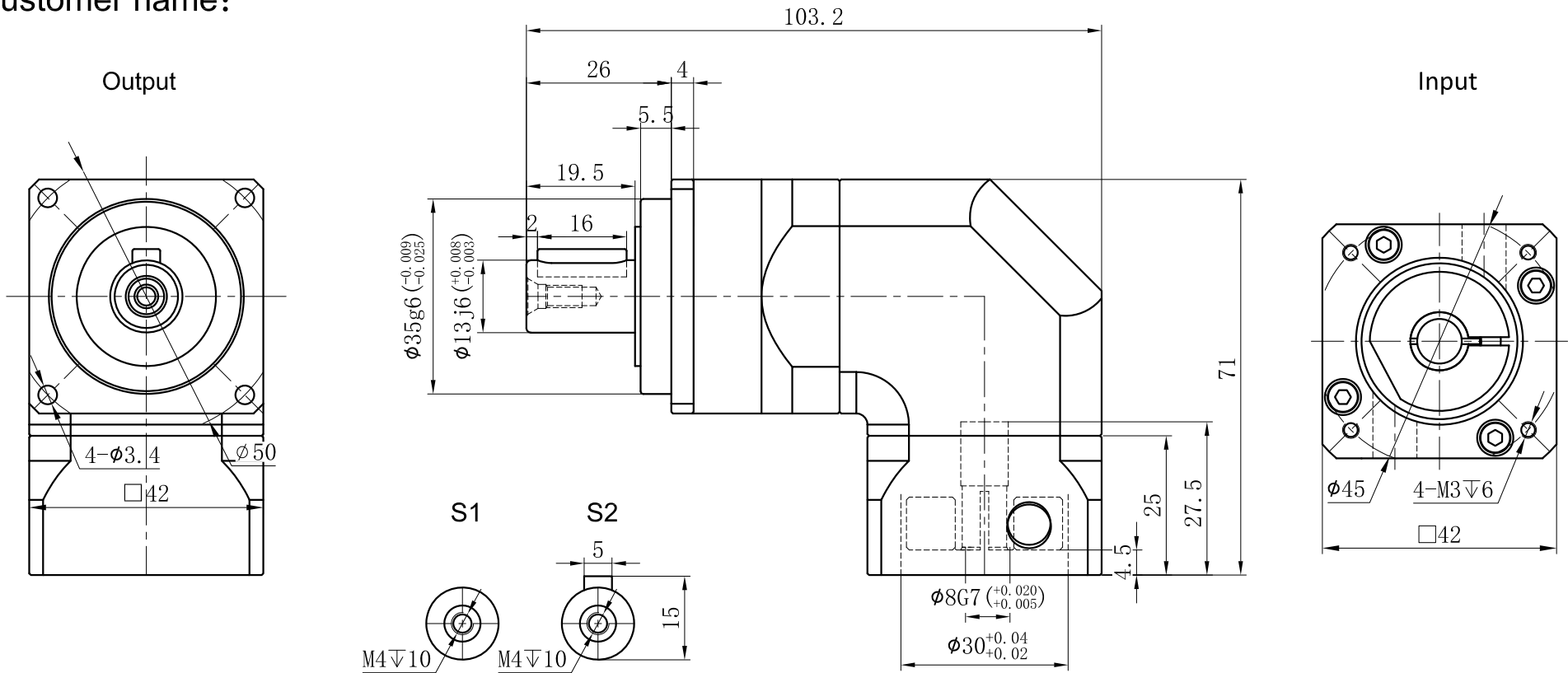


Customer name:



Transmission ratio	(A):1	Mass moments of inertia	(B)Kg.cm ²										
Rated output torque	(C)Nm	Max.Output torque	(D)Nm										
Rated input speed	3000rpm	Max input speed	6000rpm	10	0.09	13	23.4	Sign/Date					
Max.radial force	760N	Max.axial force	380N	7	0.09	17	30.6						
Efficiency	≥ 95%	Operating temperature	-20°~+90°	5	0.09	13	23.4						
Mounting position	Any	Lubrication method	Synthetic grease	4	0.09	11	19.8		Ratio	A	B	C	D
Weight ±3%	0.9Kg	Service life	20000h	NOTE									
Standard backlash	≤ 8 arcmin	Protection class	IP65										
Motor power		Noise level	63dB										
Motor dimensions													

Precision Planetary Reducer				GCBR042	
GCBR042-L1				Shaft Type Precision	
Mark	No.	Sign	Date		