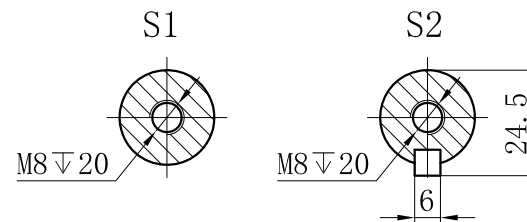
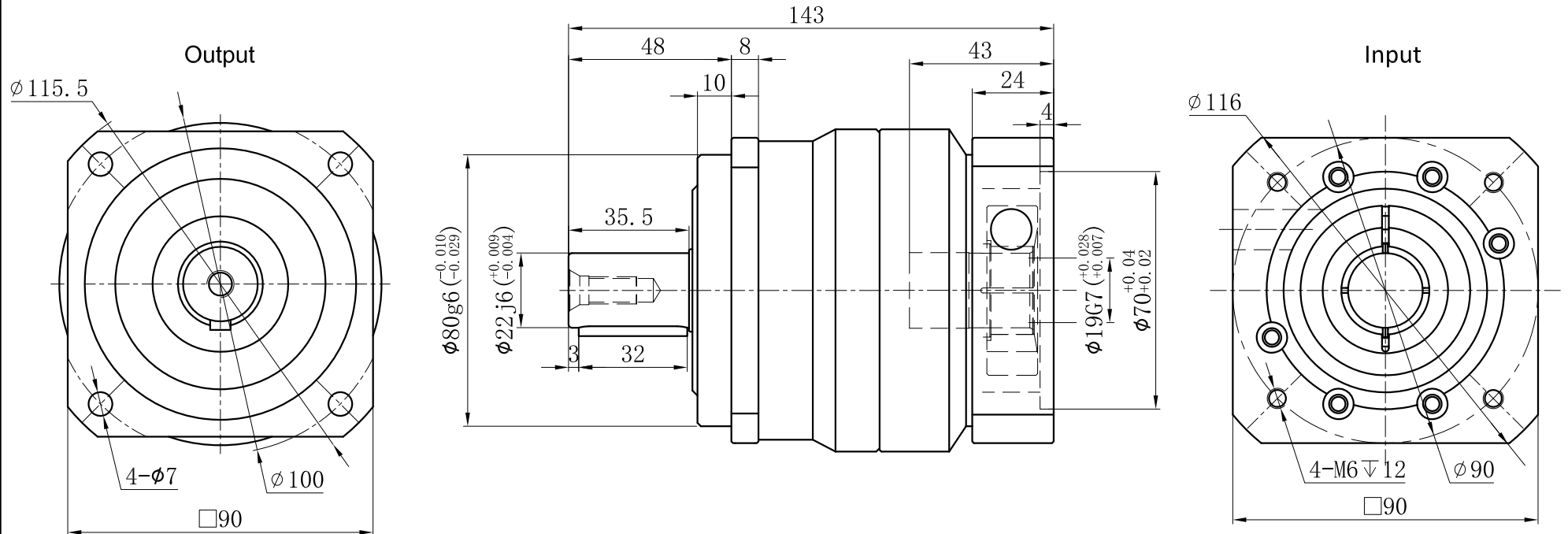


Customer name:



Transmission ratio	(A):1	Mass moments of inertia	(B)Kg.cm ²
Rated output torque	(C)Nm	Max.output torque	(D)Nm
Rated input speed	3000rpm	Max input speed	5000rpm
Max.radial force	3250N	Max.axial force	1625N
Efficiency	≥ 97%	Operating temperature	-20°~+90°
Mounting position	Any	Lubrication method	Synthetic grease
Weight ±3%	3.6Kg	Service life	20000h
Standard backlash	≤ 5 arcmin	Protection class	IP65
Motor power		Noise level	60dB
Motor dimensions			

	10	0.44	100	180	Sign/Date					
	7	0.45	135	240			8	0.44	120	215
	5	0.47	150	270			6	0.45	140	250
	4	0.48	110	195			3	0.61	100	180
Ratio	A	B	C	D		Ratio	A	B	C	D
Note						Precision planetary reducer	GCB090A			
Mark	No.	Sign	Date			GCB090A-L1				
	DRAW					Shaft Type		Precision		
	CHEC									
	APPR									
	RULE									

Above specifications are for standard reducer and may be subject to change without notice.