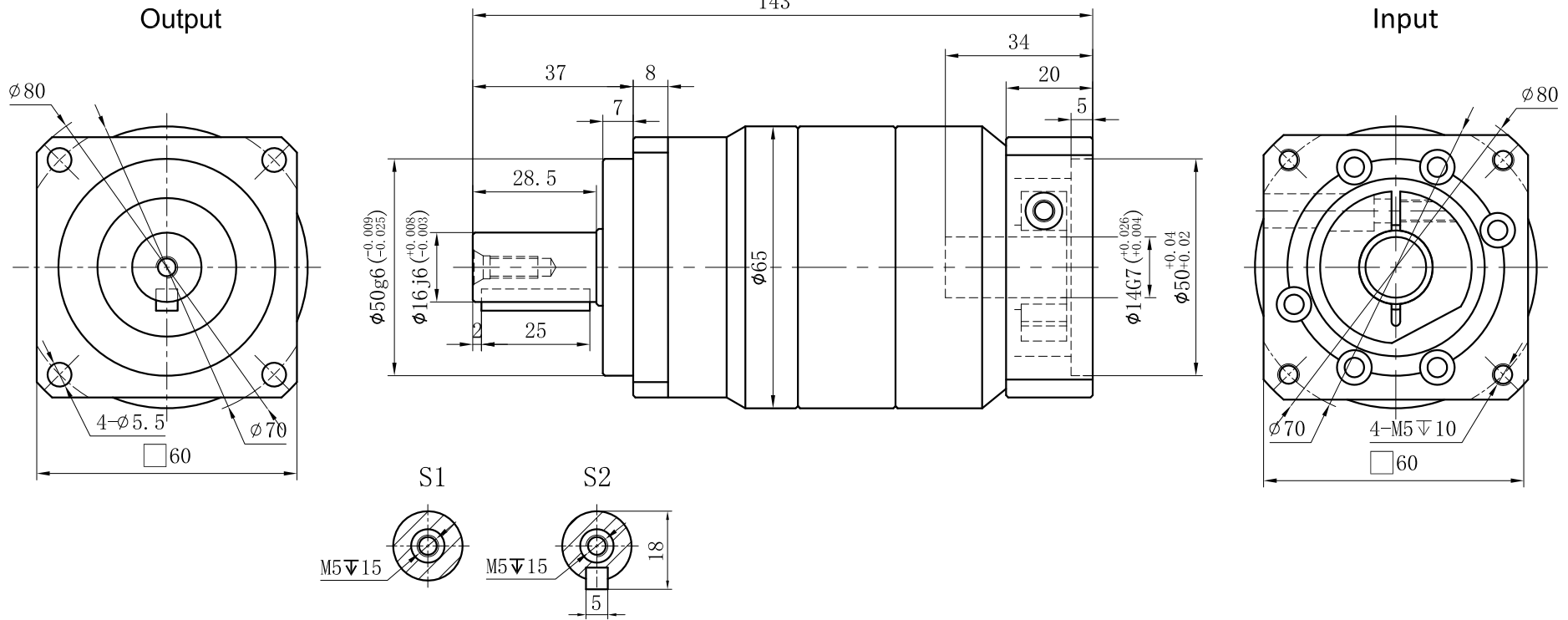


Customer Name:



Transmission Ratio	(A):1	Mass Moments Of Inertia	(B)Kg.cm ²																								
Rated Output Torque	(C)Nm	Max Output Torque	(D)Nm	40	0.13	45	81	Sign/Date																			
Rated Input Speed	3000rpm	Max Input Speed	5000rpm	35	0.13	45	81		100	0.13	35	63															
Max Radial Force	1530N	Max Axial Force	765N	30	0.13	50	90		80	0.13	45	81															
Efficiency	≥ 94%	Operating Temperature	-20°~+90°	25	0.13	55	99		70	0.13	45	81															
Mounting Position	Any	Lubrication Method	Synthetic grease	20	0.13	45	81		60	0.13	50	90															
Weight ±3%	1.9Kg	Service Life	20000h	15	0.13	40	72	50	0.13	55	99																
Standard Backlash	≤ -- arcmin	Protection Class	IP65	Ratio	A	B	C	D	Ratio	A	B	C	D														
Motor Power	-- KW	Noise Level	58dB	Note				Precision Planetary Reducer				GCB060A															
Motor Dimensions				Mark				No.	Sign	Date	GCB060A-L2																
																Shaft Type		Precision									

Above specifications are for standard reducer and may be subject to change without notice.