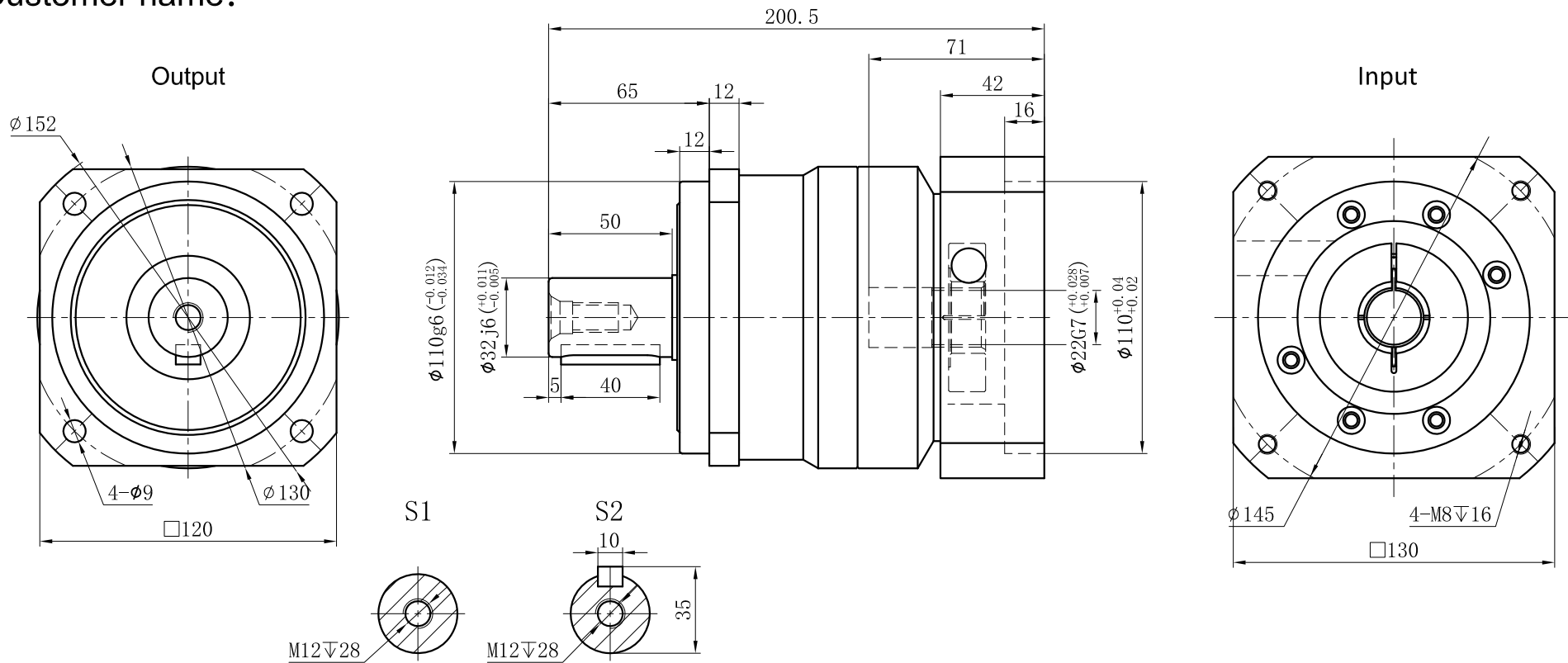


Customer name:



Transmission ratio	(<u>A</u>):1	Mass moments of inertia	(<u>B</u>)Kg.cm ²																
Rated output torque	(<u>C</u>)Nm	Max.Output torque	(<u>D</u>)Nm																
Rated input speed	3000rpm	Max input speed	6000rpm		10	2.57	220	396	Sign/Date										
Max.radial force	6700N	Max.axial force	3350N		7	2.62	300	540			8	2.58	255	459					
Efficiency	≥ 97%	Operating temperature	-20°~+90°		5	2.71	320	576			6	2.65	310	558					
Mounting position	Any	Lubrication method	Synthetic grease		4	2.74	280	504			3	3.25	200	360					
Weight ±3%	--Kg	Service life	20000h	Ratio	A	B	C	D		Ratio	A	B	C	D					
Standard backlash	≤ 5 arcmin	Protection class	IP65	NOTE								Precision Planetary Reducer		GCB120A					
Motor power		Noise level	63dB	φ24 to φ22 										GCB120A-L1					
Motor dimensions																Shaft Type		Precision	