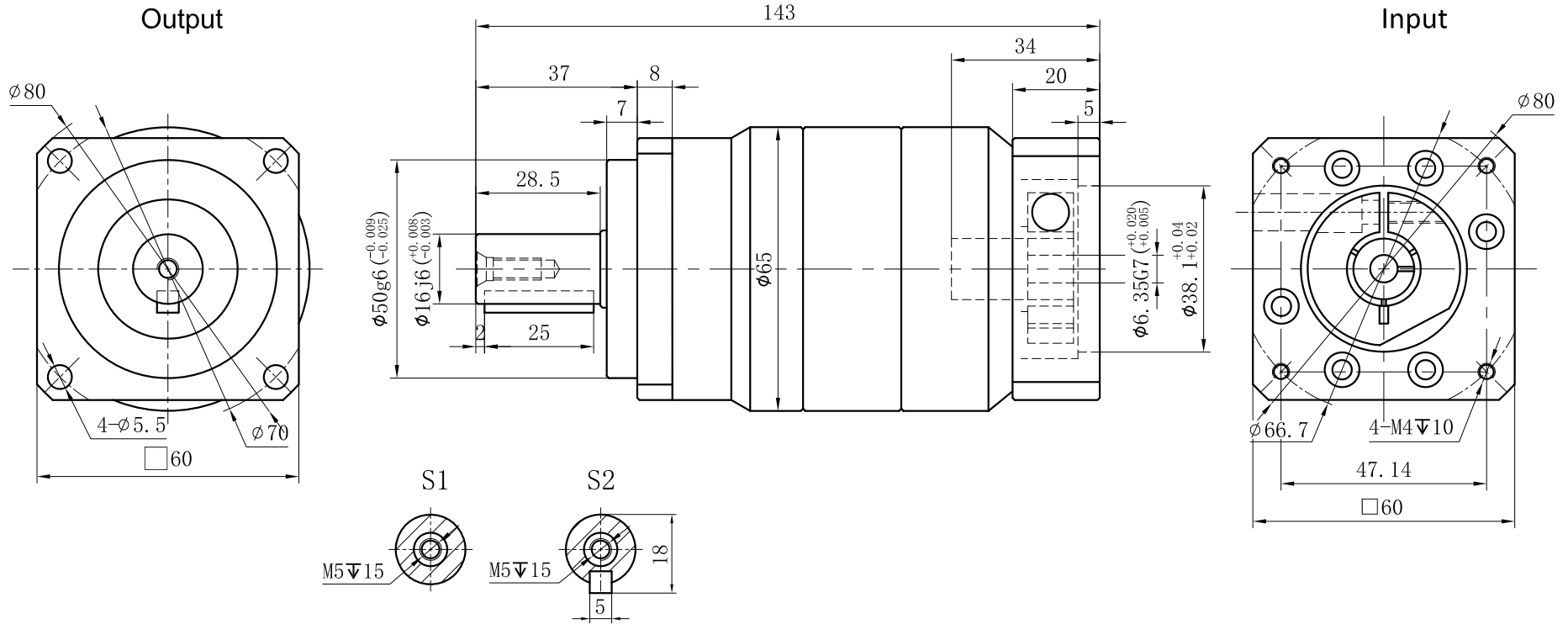


Customer Name:



Transmission Ratio	(A):1	Mass Moments Of Inertia	(B)Kg.cm ²										
Rated Output Torque	(C)Nm	Max Output Torque	(D)Nm	40	0.13	45	81	Sign/Date					
Rated Input Speed	3000rpm	Max Input Speed	5000rpm	35	0.13	45	81			100	0.13	35	63
Max Radial Force	1530N	Max Axial Force	765N	30	0.13	50	90			80	0.13	45	81
Efficiency	≥ 94%	Operating Temperature	-20°~+90°	25	0.13	55	99			70	0.13	45	81
Mounting Position	Any	Lubrication Method	Synthetic grease	20	0.13	45	81			60	0.13	50	90
Weight ±3%	1.7Kg	Service Life	20000h	15	0.13	40	72		50	0.13	55	99	
Standard Backlash	≤ 7arcmin	Protection Class	IP65	Ratio	A	B	C	D	Ratio	A	B	C	D
Motor Power	-- KW	Noise Level	58dB	Note									
Motor Dimensions				φ14 to φ6.35									
					Mark	No.	Sign	Date					



Above specifications are for standard reducer and may be subject to change without notice.