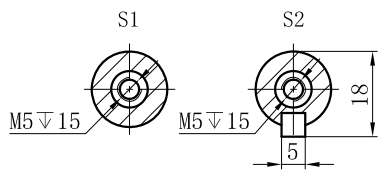
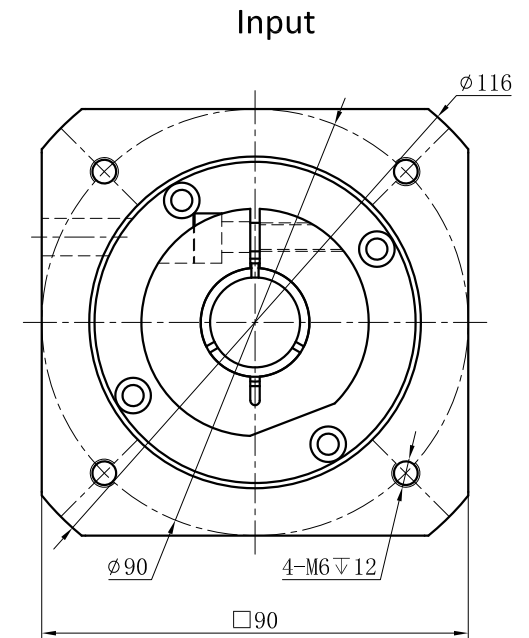
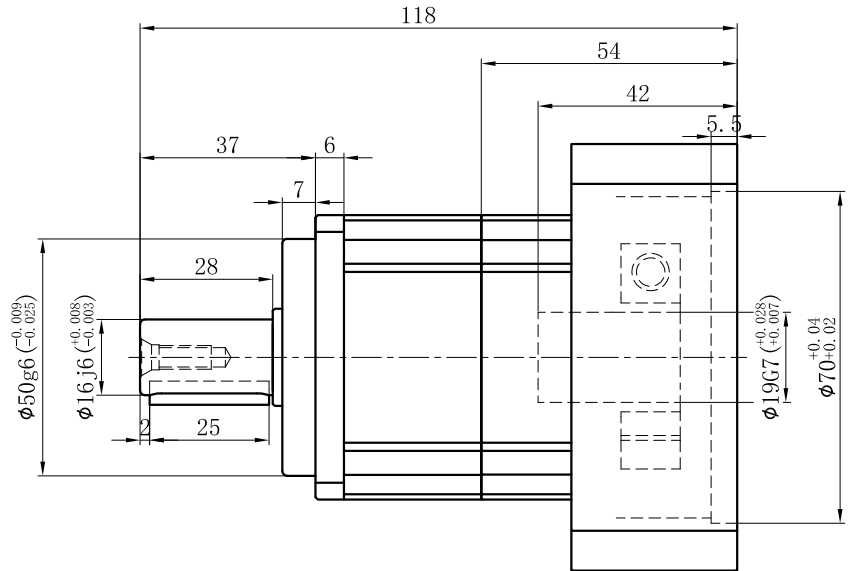
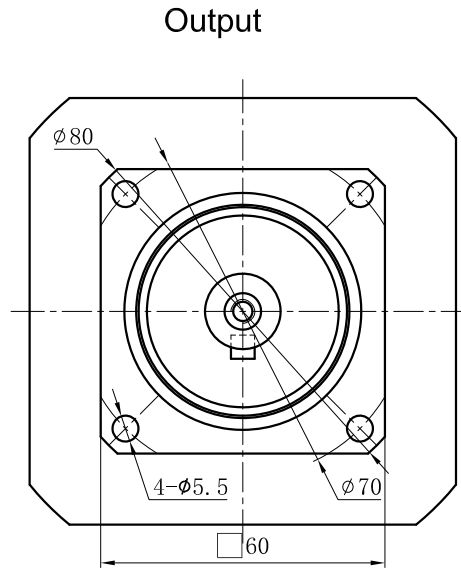


Customer Name:



Transmission Ratio	(<u>A</u>):1	Mass Moments Of Inertia	(<u>B</u>)Kg.cm ²
Rated Output Torque	(<u>C</u>)Nm	Max Output Torque	(<u>D</u>)Nm
Rated Input Speed	5000rpm	Max Input Speed	10000rpm
Max Radial Force	1530N	Max.axial Force	765N
Efficiency	≥ 97%	Operating Temperature	-20°~+90°
Mounting Position	Any	Lubrication Method	Synthetic grease
Weight ±3%	1.3Kg	Service Life	20000h
Standard Backlash	≤ 3 arcmin	Protection Class	IP65
Motor Power	-- KW	Noise Level	58dB
Motor Dimensions			

	10	0.13	40	72	Sign/Date						
	8	0.13	45	81			7	0.13	50	90	
	6	0.13	55	99			5	0.13	60	108	
	4	0.14	50	90			3	0.16	55	99	
Ratio	A	B	C	D		Ratio	A	B	C	D	
Note						Precision Planetary Reducer	GB060				
Mark	No.	Sign	Date				GB060-L1				
							Shaft Type	Precision			

Above specifications are for standard reducer and may be subject to change without notice.