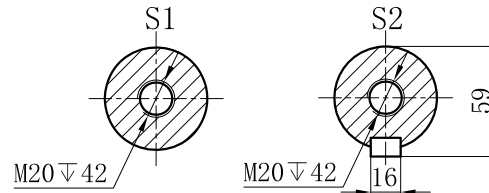
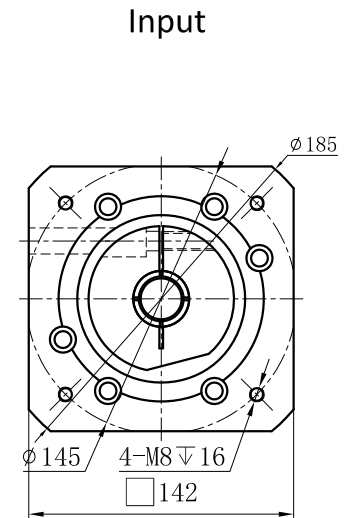
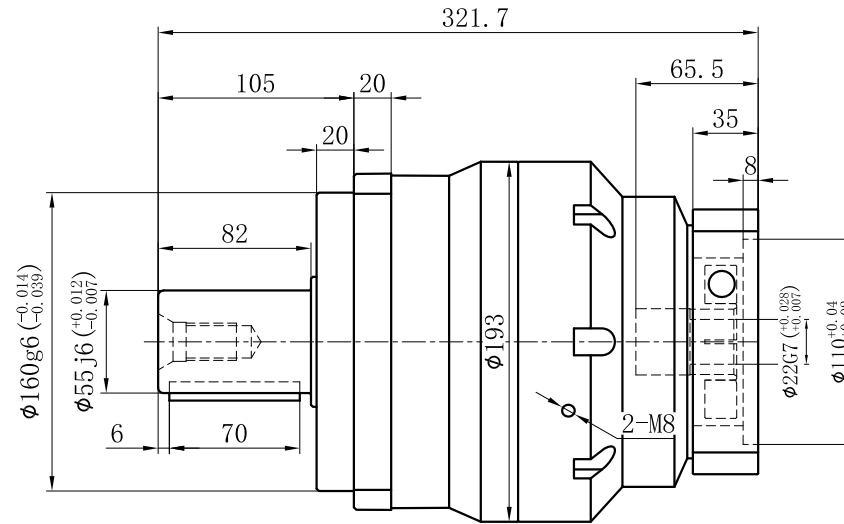
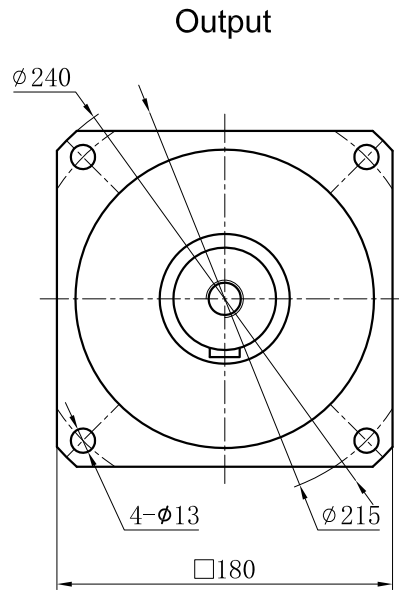


Customer name:



Transmission ratio	( <u>A</u> ):1	Mass moments of inertia	( <u>B</u> )Kg.cm <sup>2</sup>											
Rated output torque	( <u>C</u> )Nm	Max.output torque	( <u>D</u> )Nm	40	7.42	970	1746	Sign/Date						
Rated input speed	2000rpm	Max input speed	4000rpm	35	7.42	1050	1890		100	7.03	870	1566		
Max.radial force	14100N	Max.axial force	7050N	30	7.42	1050	1890		80	7.03	970	1746		
Efficiency	≥ 94%	Operating temperature	-20°~+90°	25	7.42	1180	2124		70	7.03	1050	1890		
Mounting position	Any	Lubrication method	Synthetic grease	20	7.42	1020	1836		60	7.03	1050	1890		
Weight ±3%	-Kg	Service life	20000h	15	7.42	580	1044	50	7.03	1180	2124			
Standard backlash	≤ 7 arcmin	Protection class	IP65	Ratio	A	B	C	D	Ratio	A	B	C	D	
Motor power		Noise level	67dB	NOTE				Precision planetary reducer				GCB180A		
Motor dimensions				φ24 to φ22									GCB180A-L2	
					Mark	No.	Sign	Date					Shaft Type Precision	
						DRAW								
						CHEC								
					APPR									
					RULE									

( Above specification are for standard reducer, No standard reducer only for reference )