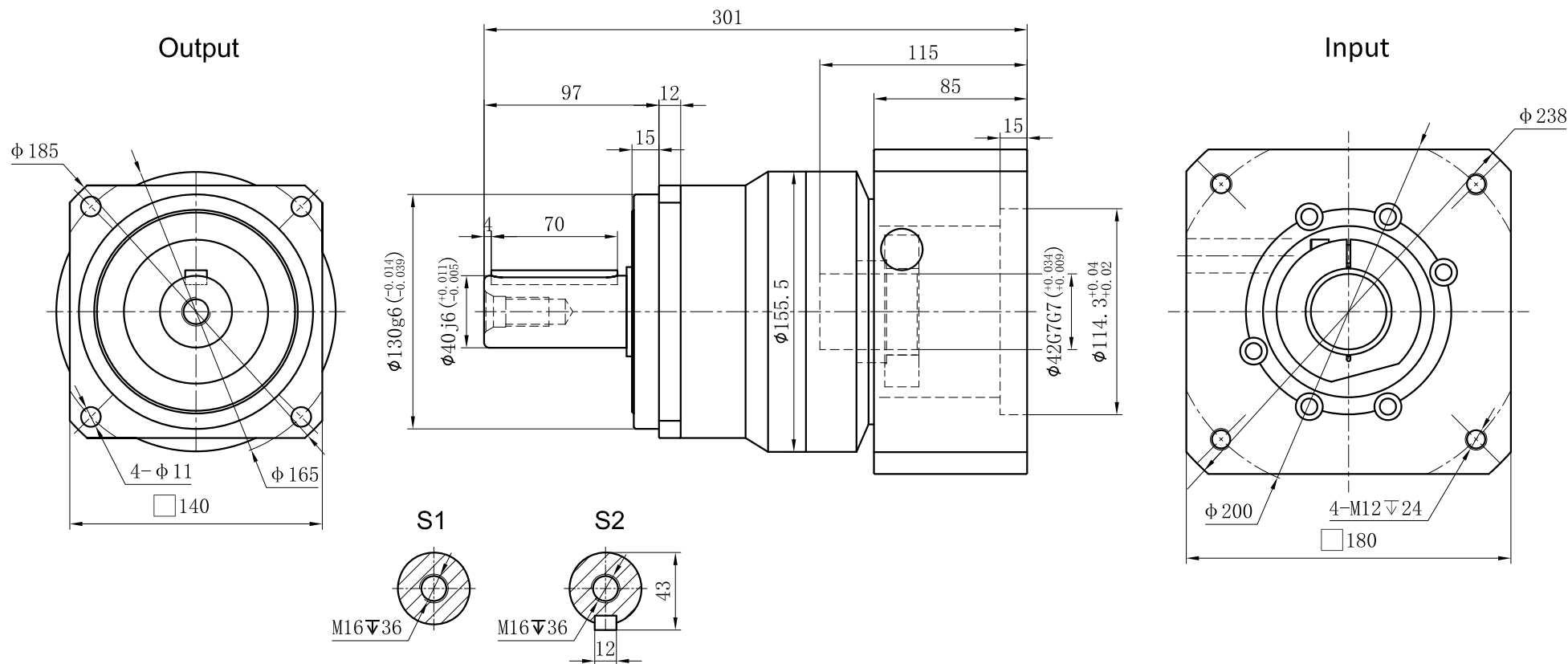
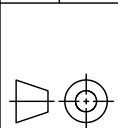


Customer Name:



Transmission Ratio	(A):1	Mass Moments Of Inertia	(B)Kg.cm ²
Rated Output Torque	(C)Nm	Max Output Torque	(D)Nm
Rated Input Speed	3000rpm	Max Input Speed	4000rpm
Max Radial Force	9400N	Max Axial Force	4700N
Efficiency	≥ 97%	Operating Temperature	-20°~+90°
Mounting Position	Any	Lubrication Method	Synthetic grease
Weight ±3%	14.5Kg	Service Life	20000h
Standard Backlash	≤ 5 arcmin	Protection Class	IP65
Motor Power	-- KW	Noise Level	65dB
Motor Dimensions			

	3	9.21	340	612	Sign/Date	7	7.14	550	990
	4	7.54	535	936		8	7.07	500	900
	5	7.42	650	1170		10	7.03	445	801
	6	7.25	600	1080					
Ratio	A	B	C	D	Ratio	A	B	C	D
Note						Precision Planetary Reducer	GCB140A		
Mark	No.	Sign	Date			GCB140A-L1			
						Shaft Type	Precision		



DRAW
CHEC
APPR
RULE



Above specifications are for standard reducer and may be subject to change without notice.