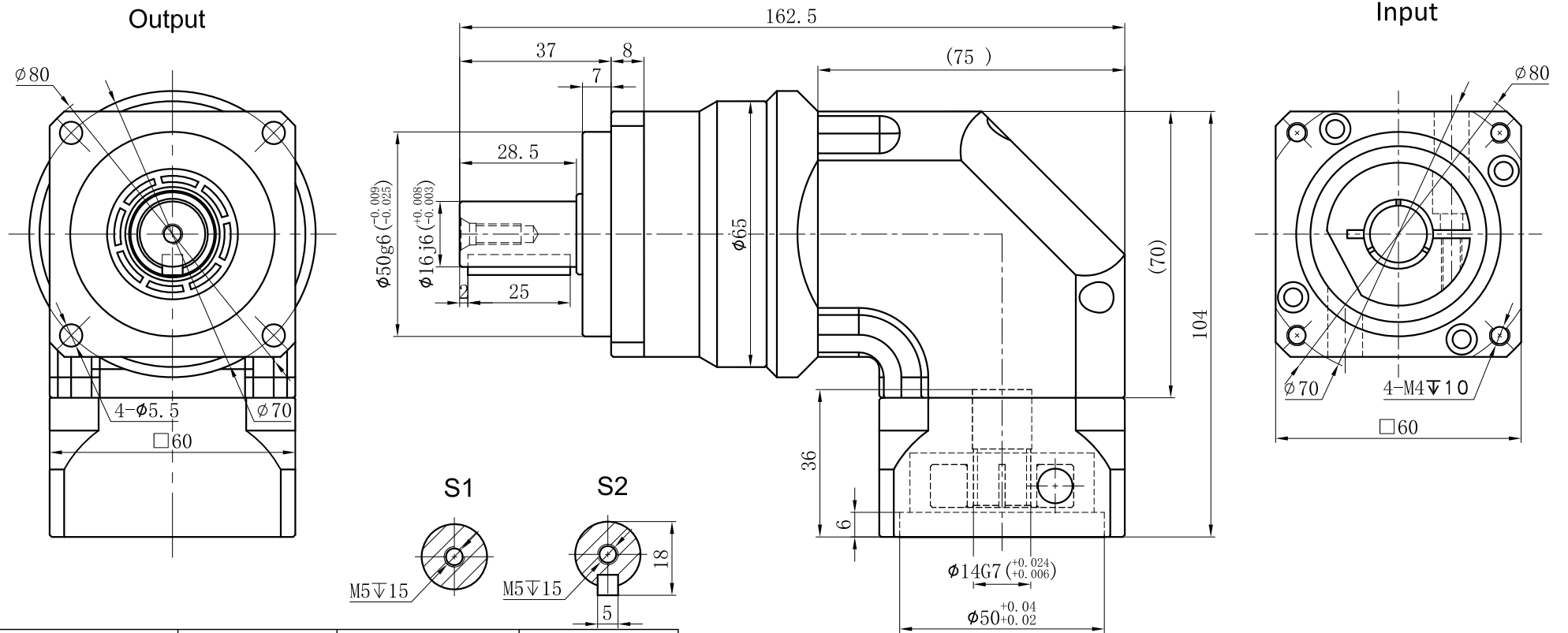


Customer Name:



Transmission Ratio	(A):1	Mass Moments Of Inertia	(B)Kg.cm ²	3	0.35	35	63	Sign/Date	4	0.35	45	81
Rated Output Torque	(C)Nm	Max Output Torque	(D)Nm	5	0.35	55	99		6	0.35	50	90
Rated Input Speed	3000rpm	Max Input Speed	5000rpm	7	0.35	46	82.8		8	0.35	43	77.4
Max Radial Force	1450N	Max Axial Force	724N	10	0.35	40	72		12	0.07	50	90
Efficiency	≥ 95%	Operating Temperature	-20°~+90°	14	0.07	40	72		16	0.07	43	77.4
Mounting Position	Any	Lubrication Method	Synthetic grease	20	0.07	40	72		Ratio	A	B	C
Weight ±3%	1.5Kg	Service Life	20000h	Note								
Standard Backlash	≤ -- arcmin	Protection Class	IP65									
Motor Power	-- KW	Noise Level	66dB									
Motor Dimensions												

Above specifications are for standard reducer and may be subject to change without notice.