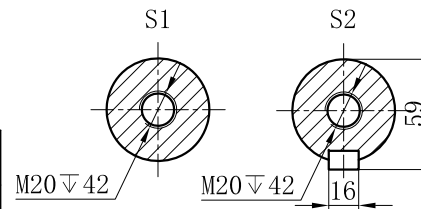
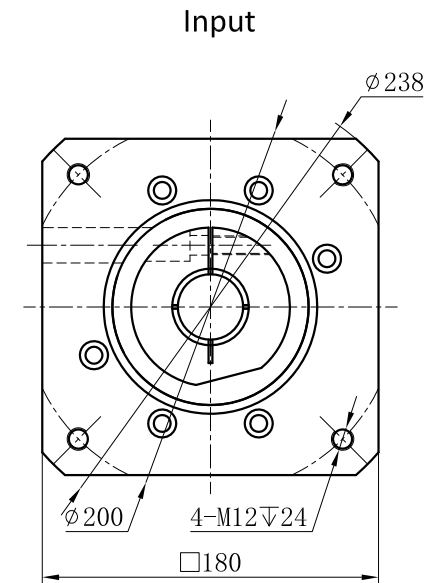
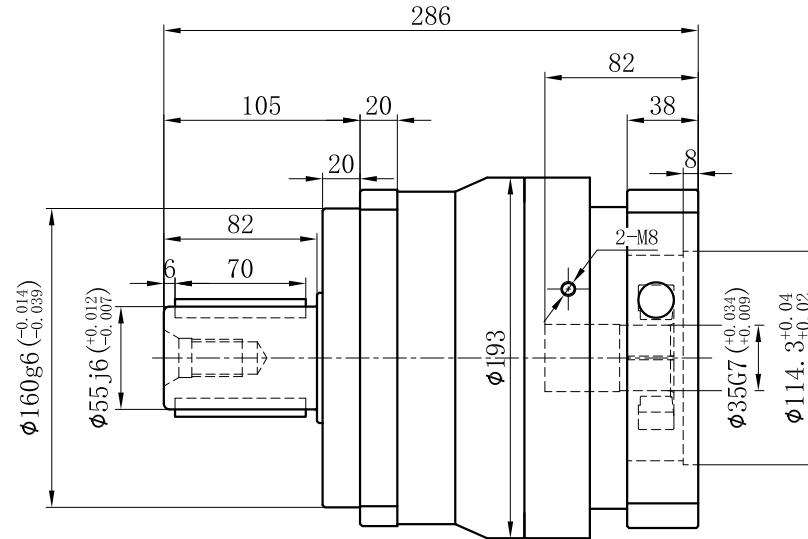
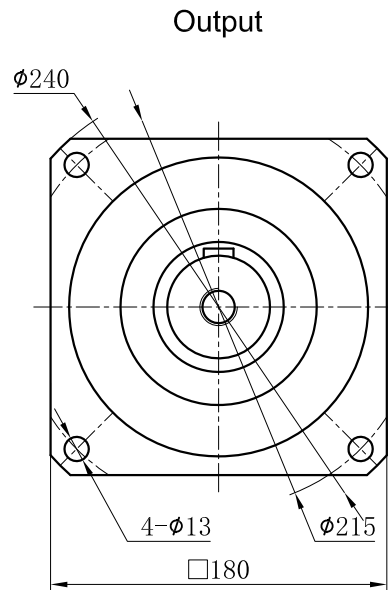


Customer name:



Transmission ratio	(A):1	Mass moments of inertia	(B)Kg.cm ²
Rated output torque	(C)Nm	Max.output torque	(D)Nm
Rated input speed	3000rpm	Max input speed	6000rpm
Max.radial force	14100N	Max.axial force	7050N
Efficiency	≥ 97%	Operating temperature	-20°~+90°
Mounting position	Any	Lubrication method	Synthetic grease
Weight ±3%	--Kg	Service life	20000h
Standard backlash	≤ 5 arcmin	Protection class	IP65
Motor power		Noise level	67dB
Motor dimensions			

Ratio	A	B	C	D	Sign/Date	Ratio	A	B	C	D
10	22.51	900	1620			8	22.59	1000	1800	
7	22.48	1100	1980			6	22.75	1100	1980	
5	23.29	1200	2160			3	28.98	588	1058	
4	23.67	1050	1890							

Note						Precision planetary reducer	GCB180A
Mark	No.	Sign	Date			GCB180A-L1	
	DRAW					Shaft Type	Precision
	CHEC						
	APPR						
	RULE						



Above specifications are for standard reducer and may be subject to change without notice.