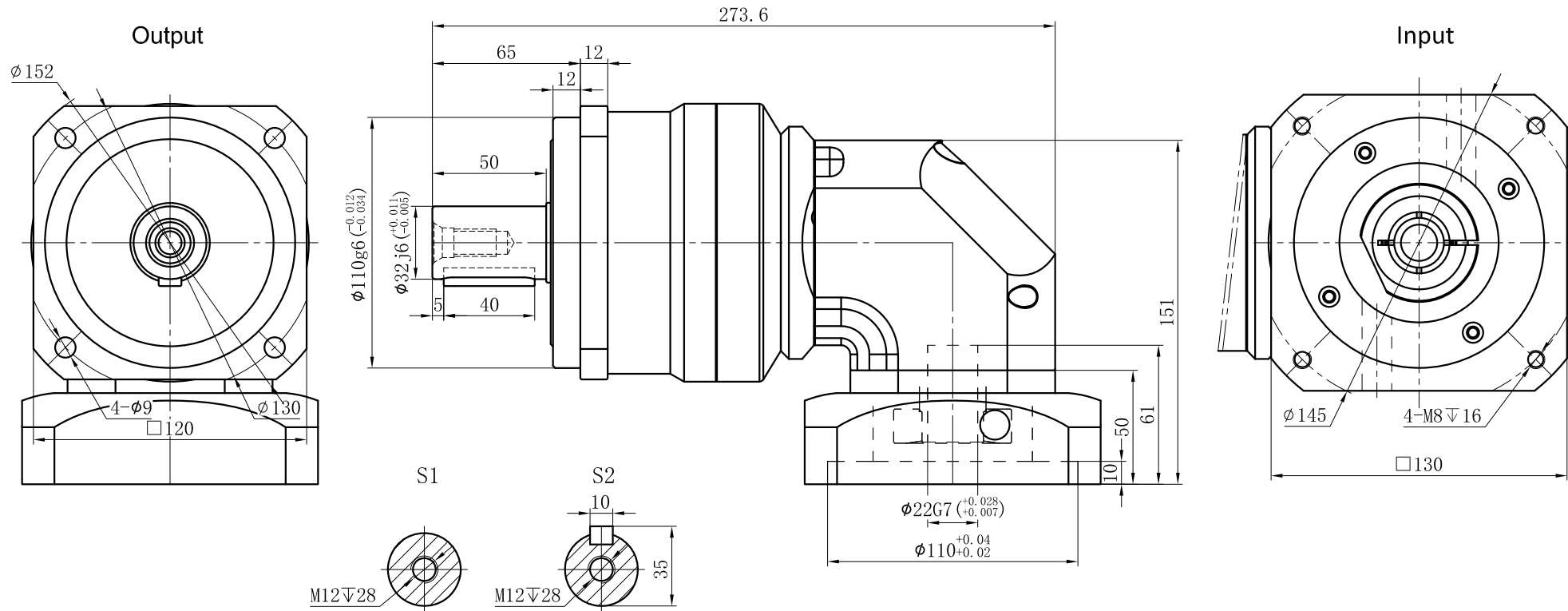



Customer name:



Transmission ratio	( A ):1	Mass moments of inertia	( B )Kg.cm <sup>2</sup>											
Rated output torque	( C )Nm	Max.Output torque	( D )Nm	60	2.25	305	558	Sign/Date	200	1.87	225	405		
Rated input speed	3000rpm	Max input speed	5000rpm	50	2.25	325	594		160	1.87	255	459		
Max.radial force	6600N	Max.axial force	3200N	40	2.25	255	459		140	1.87	290	522		
Efficiency	≥ 92%	Operating temperature	-20°~+90°	35	2.25	290	522		120	1.87	305	558		
Mounting position	Any	Lubrication method	Synthetic grease	30	2.25	305	558	100	2.25	225	405			
Weight ±3%	14Kg	Service life	20000h	25	2.25	315	594	80	2.25	255	459			
Standard backlash	≤ 12 arcmin	Protection class	IP65	Ratio	A	B	C	D	70	2.25	290	522		
Motor power		Noise level	70dB						Ratio	A	B	C	D	
Motor dimensions														

NOTE								Precision Planetary Reducer	GCBR120	
				Mark	No.	Sign	Date		GCBR120-L2	
					DRAW				Shaft Type	Precision
					CHEC					
					APPR					
					RULE					