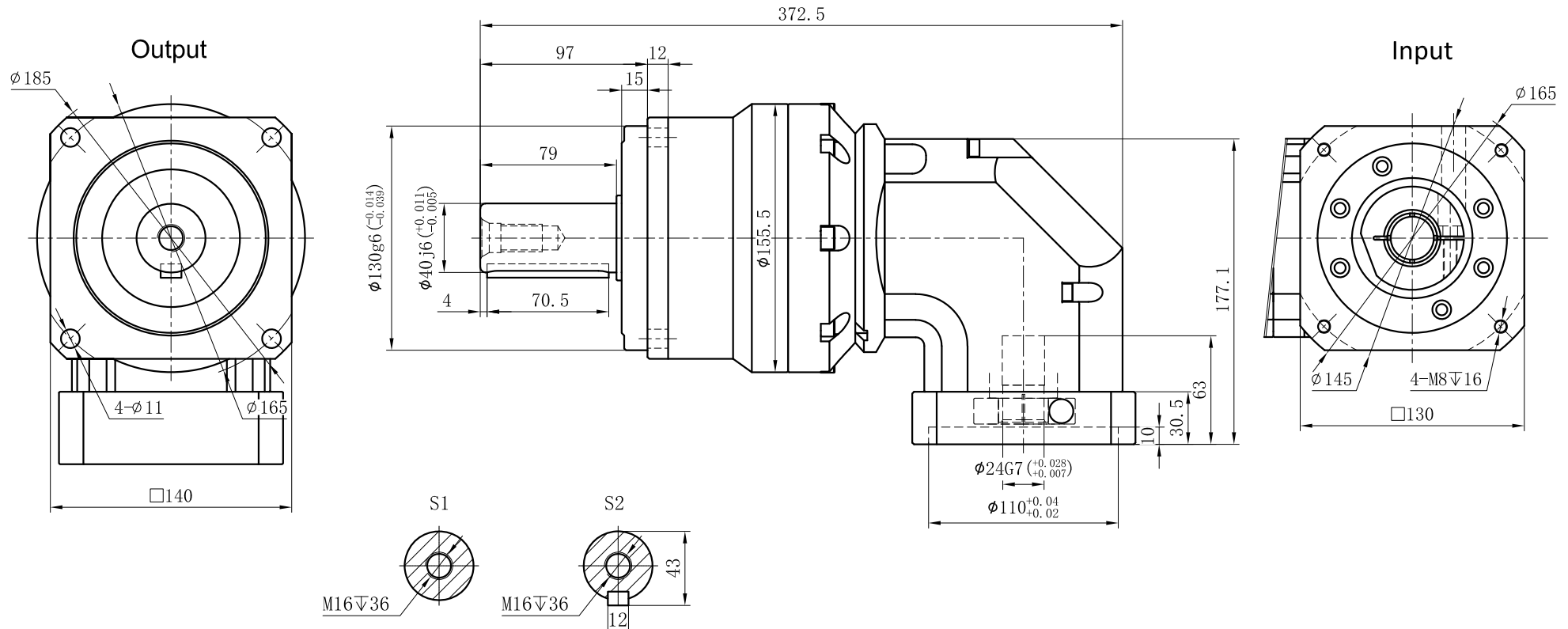


Customer name:



Transmission ratio	(A):1	Mass moments of inertia	(B)Kg.cm ²	15	2.71	342	615	Sign/Date	70	2.57	550	990	
Rated output torque	(C)Nm	Max.output torque	(D)Nm	25	2.71	650	1170		80	2.57	500	900	
Rated input speed	3000rpm	Max input speed	6000rpm	30	2.71	600	1080		100	2.57	450	810	
Max.Radial Force	9400N	Max.Axial Force	4700N	35	2.71	550	990		120	2.57	600	1080	
Efficiency	≥ 92%	Operating temperature	-20°~+90°	40	2.71	500	900		140	2.57	550	990	
Mounting position	Any	Lubrication method	Synthetic grease	50	2.57	650	1170		160	2.57	550	990	
Weight ±3%	27.5Kg	Service life	20000h	60	2.57	600	1080		200	2.57	450	810	
Standard backlash	≤ 4 arcmin	Protection class	IP65	Ratio	A	B	C		D	Ratio	A	B	C
Motor power	-- KW	Noise level	70dB	Note					Precision planetary reducer	GCBR142			
Motor dimensions				Mark	No.	Sign	Date			GCBR142-L2			
					DRAW					Shaft Type	Precision		
					CHEC								
					APPR								
					RULE								

Above specifications are for standard reducer and may be subject to change without notice.