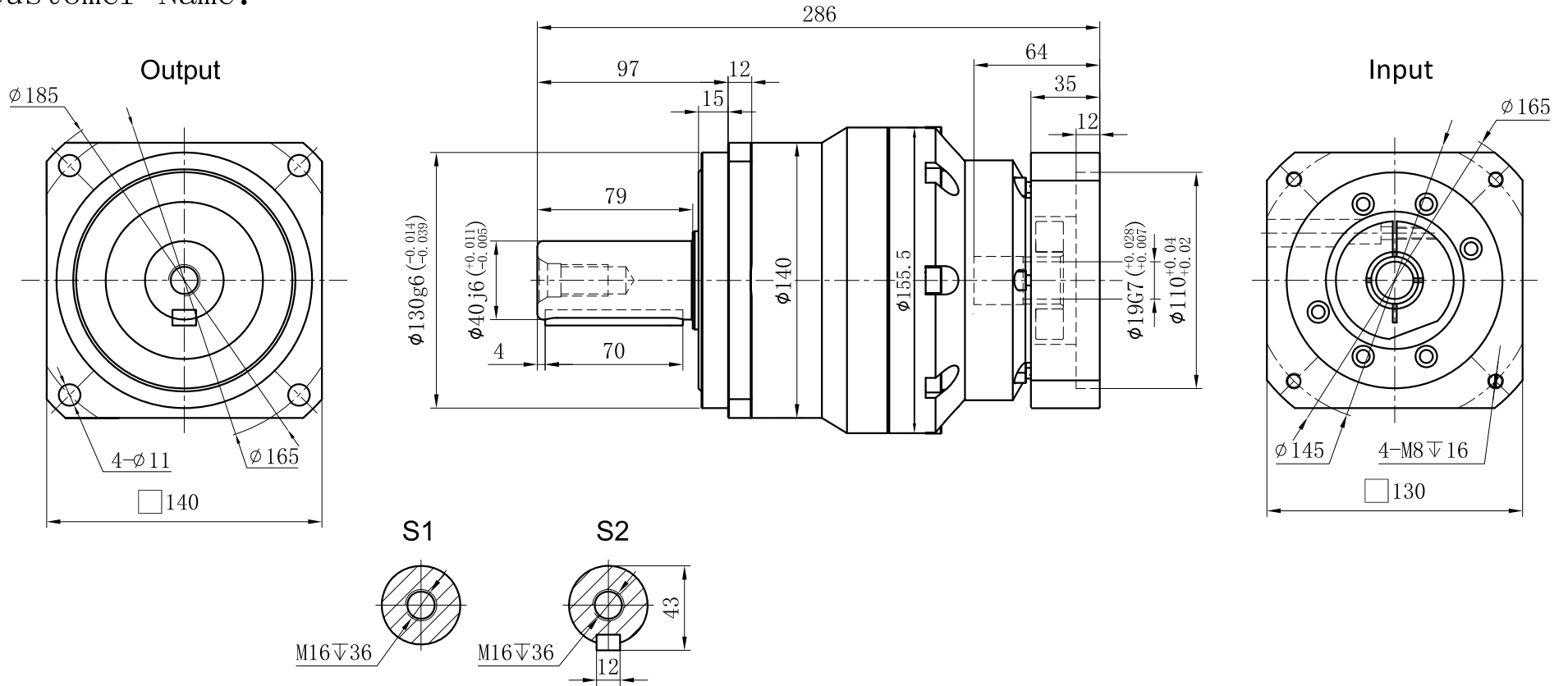


Customer Name:



Transmission Ratio	(A):1	Mass Moments Of Inertia	(B)Kg.cm ²
Rated Output Torque	(C)Nm	Max Output Torque	(D)Nm
Rated Input Speed	3000rpm	Max Input Speed	4000rpm
Max Radial Force	9400N	Max Axial Force	4700N
Efficiency	≥ 94%	Operating Temperature	-20°~+90°
Mounting Position	Any	Lubrication Method	Synthetic grease
Weight ±3%	19.8Kg	Service Life	20000h
Standard Backlash	≤ -- arcmin	Protection Class	IP65
Motor Power	-- KW	Noise Level	65dB
Motor Dimensions			

					Sign/Date		50	2.54	650	1170
	20	2.71	535	963			60	2.54	600	1080
	25	2.71	650	1170			70	2.54	550	990
	30	2.71	600	1080			80	2.54	500	900
	35	2.71	550	990			100	2.54	445	801
	40	2.71	500	900						
Ratio	A	B	C	D		Ratio	A	B	C	D
Note					Precision Planetary Reducer				GCB140A	
φ24 to φ19	Mark	No.	Sign	Date					GCB140A-L2	
									Shaft Type	Precision

Above specifications are for standard reducer and may be subject to change without notice.