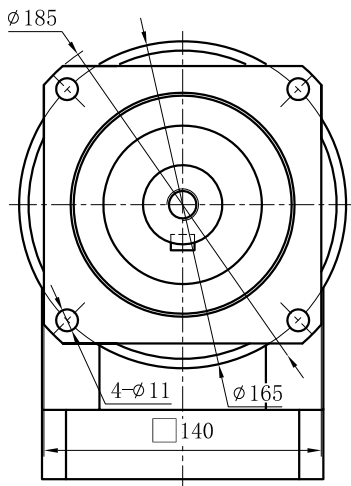
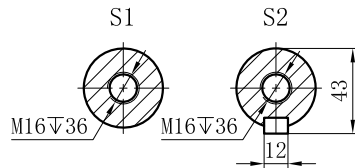
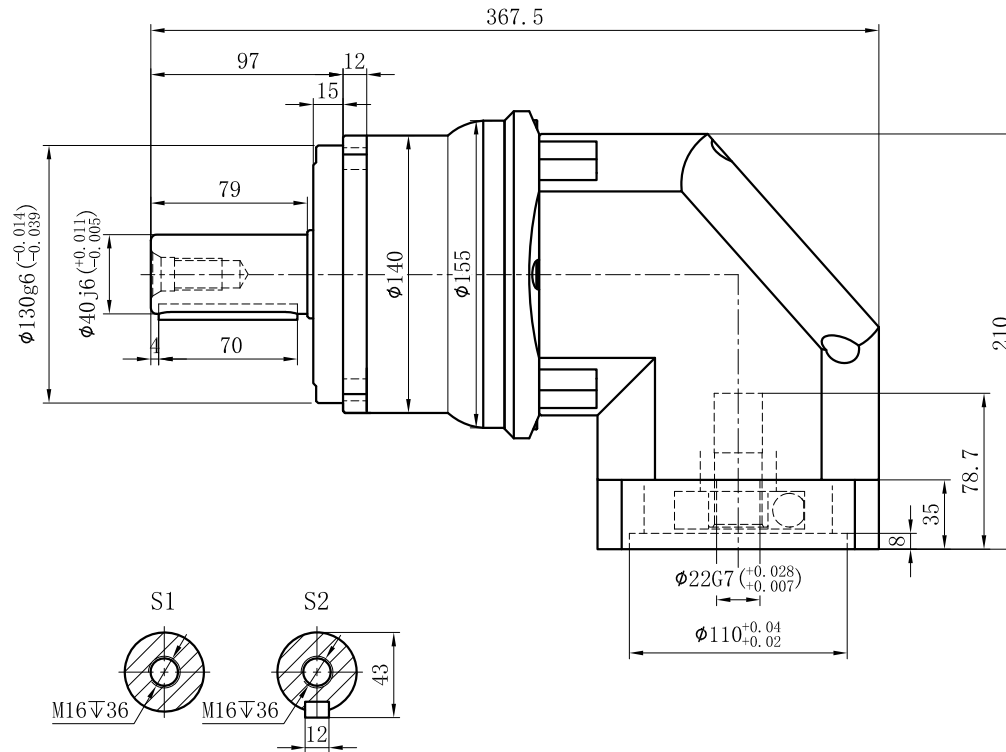
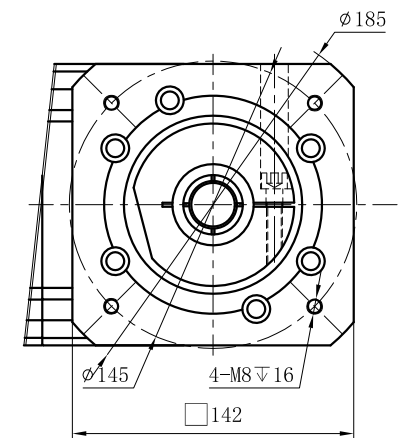


Customer name:

Output



Input



Transmission ratio	(A):1	Mass moments of inertia	(B)Kg.cm ²	3	23.4	342	615	Sign/Date	10	23.4	450	810	
Rated output torque	(C)Nm	Max.output torque	(D)Nm	4	23.4	520	936		12	21.8	600	1080	
Rated input speed	3000rpm	Max input speed	6000rpm	5	23.4	650	1170		14	21.8	550	990	
Max.Radial Force	9400N	Max.Axial Force	4700N	6	23.4	600	1080		16	21.8	500	900	
Efficiency	≥ 95%	Operating temperature	-20°~+90°	7	23.4	550	990		20	21.8	450	810	
				8	23.4	500	900						
				Ratio	A	B	C	D	Ratio	A	B	C	D
Mounting position	Any	Lubrication method	Synthetic grease	Note					Precision planetary reducer	GCBR140			
Weight ±3%	25.2Kg	Service life	20000h	φ24 to φ22	Mark	No.	Sign	Date		GCBR140-L1			
Standard backlash	≤ 6 arcmin	Protection class	IP65			DRAW					Shaft Type	Precision	
Motor power	-- KW	Noise level	70dB			CHEC							
Motor dimensions						APPR							
					RULE								

Above specifications are for standard reducer and may be subject to change without notice.