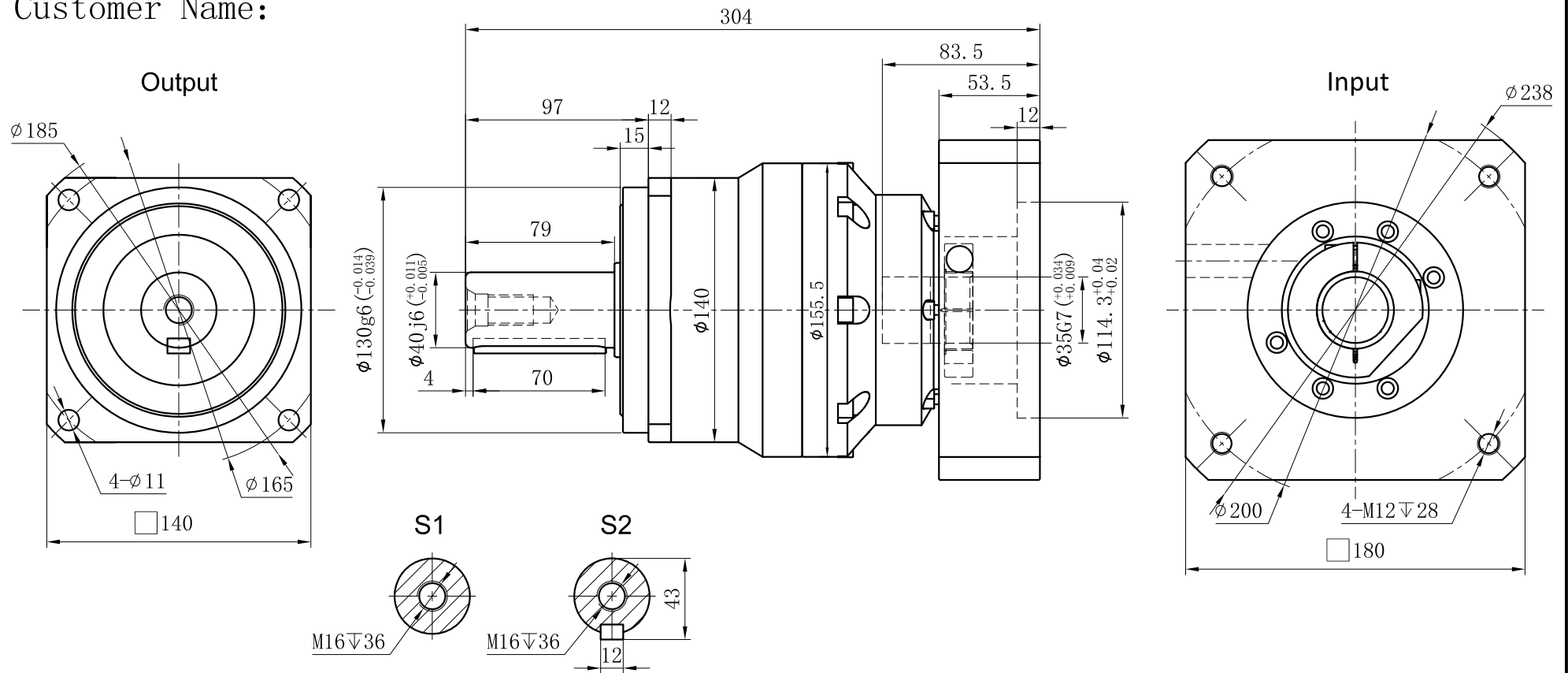


Customer Name:



|                     |             |                         |                         |       |      |      |      |                             |       |      |     |            |   |  |  |
|---------------------|-------------|-------------------------|-------------------------|-------|------|------|------|-----------------------------|-------|------|-----|------------|---|--|--|
| Transmission Ratio  | ( A ):1     | Mass Moments Of Inertia | ( B )Kg.cm <sup>2</sup> |       |      |      |      |                             |       |      |     |            |   |  |  |
| Rated Output Torque | ( C )Nm     | Max Output Torque       | ( D )Nm                 | 20    | 2.71 | 535  | 963  | Sign/Date                   | 50    | 2.54 | 650 | 1170       |   |  |  |
| Rated Input Speed   | 3000rpm     | Max Input Speed         | 4000rpm                 | 25    | 2.71 | 650  | 1170 |                             | 60    | 2.54 | 600 | 1080       |   |  |  |
| Max Radial Force    | 9400N       | Max Axial Force         | 4700N                   | 30    | 2.71 | 600  | 1080 |                             | 70    | 2.54 | 550 | 990        |   |  |  |
| Efficiency          | ≥ 94%       | Operating Temperature   | -20°~+90°               | 35    | 2.71 | 550  | 990  |                             | 80    | 2.54 | 500 | 900        |   |  |  |
| Mounting Position   | Any         | Lubrication Method      | Synthetic grease        | 40    | 2.71 | 500  | 900  |                             | 100   | 2.54 | 445 | 801        |   |  |  |
| Weight ±3%          | 19.8Kg      | Service Life            | 20000h                  | Ratio | A    | B    | C    | D                           | Ratio | A    | B   | C          | D |  |  |
| Standard Backlash   | ≤ -- arcmin | Protection Class        | IP65                    | Note  |      |      |      |                             |       |      |     |            |   |  |  |
| Motor Power         | -- KW       | Noise Level             | 65dB                    |       |      |      |      |                             |       |      |     |            |   |  |  |
| Motor Dimensions    |             |                         |                         |       |      |      |      |                             |       |      |     |            |   |  |  |
|                     |             |                         |                         | Mark  | No.  | Sign | Date | Precision Planetary Reducer |       |      |     | GCB140A    |   |  |  |
|                     |             |                         |                         |       |      |      |      |                             |       |      |     | GCB140A-L2 |   |  |  |
|                     |             |                         |                         |       |      |      |      |                             |       |      |     |            |   |  |  |
|                     |             |                         |                         |       |      |      |      |                             |       |      |     |            |   |  |  |
|                     |             |                         |                         |       |      |      |      |                             |       |      |     |            |   |  |  |

Above specifications are for standard reducer and may be subject to change without notice.