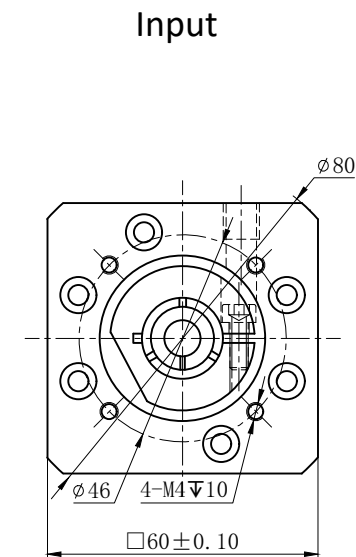
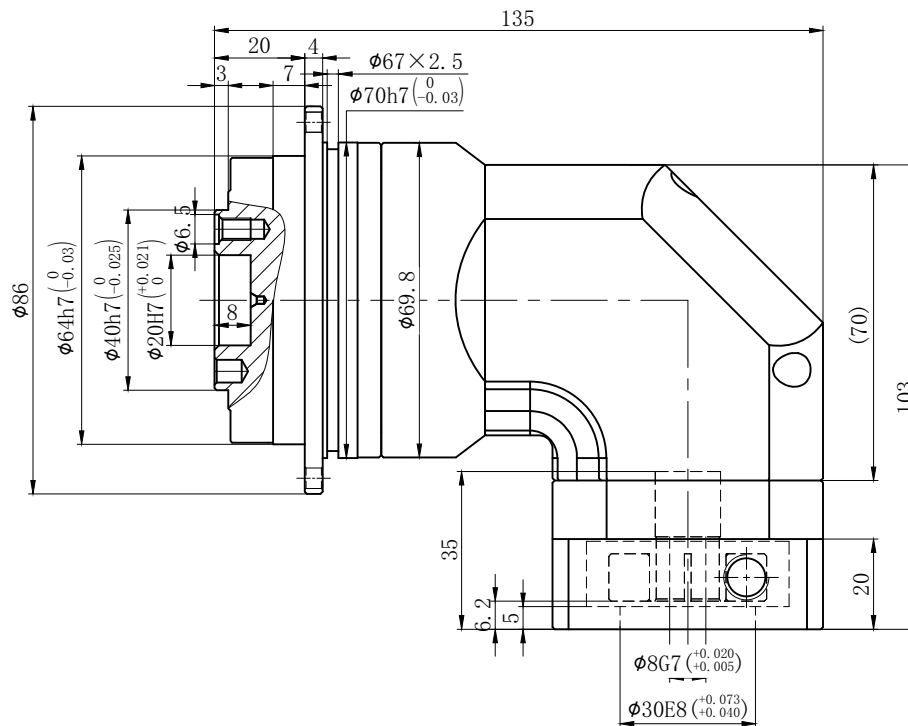
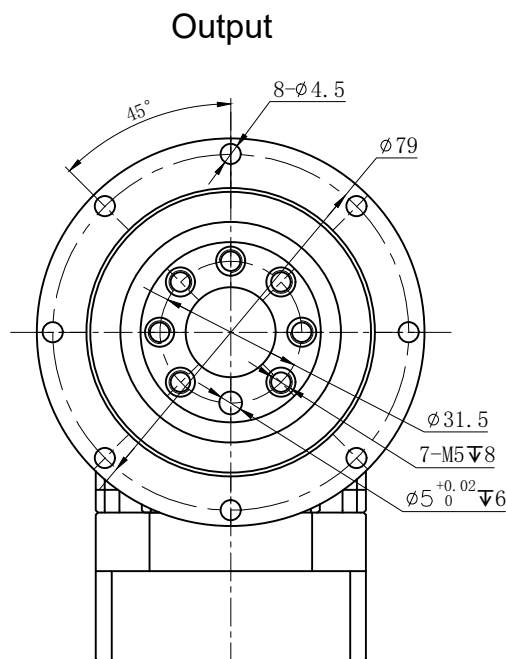


Customer Name:



Transmission Ratio	( <u>A</u> ):1	Mass Moments Of Inertia	( <u>B</u> )Kg.cm <sup>2</sup>
Rated Output Torque	( <u>C</u> )Nm	Max Output Torque	( <u>D</u> )Nm
Rated Input Speed	3000rpm	Max Input Speed	6000rpm
Max.Bending Moment	125Nm	Max Axial Force	1050N
Efficiency	≥ 92%	Operating Temperature	-20°~+90°
Mounting Position	Any	Lubrication Method	Synthetic grease
Weight ±3%	2.4Kg	Service Life	30000h
Standard Backlash	≤ 6 arcmin	Protection Class	IP65
Motor Power	-- KW	Noise Level	63dB
Motor Dimensions			

	25	0.09	60	108	Sign/Date						
	35	0.09	50	90							
	40	0.09	48	86							
	50	0.09	60	108							
	70	0.09	50	90							
	100	0.09	40	72							
Ratio	A	B	C	D		Ratio	A	B	C	D	
Note						Precision Planetary Reducer	GDR064				
Mark	No.	Sign	Date				GDR064-L2				
							Shaft Type	Precision			

Above specifications are for standard reducer and may be subject to change without notice.