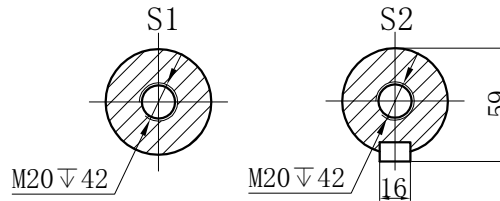
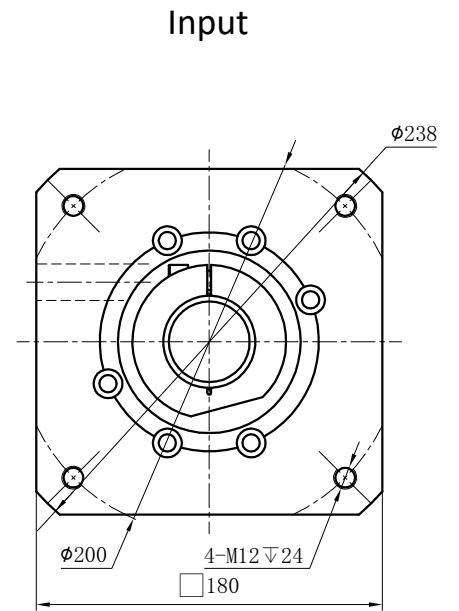
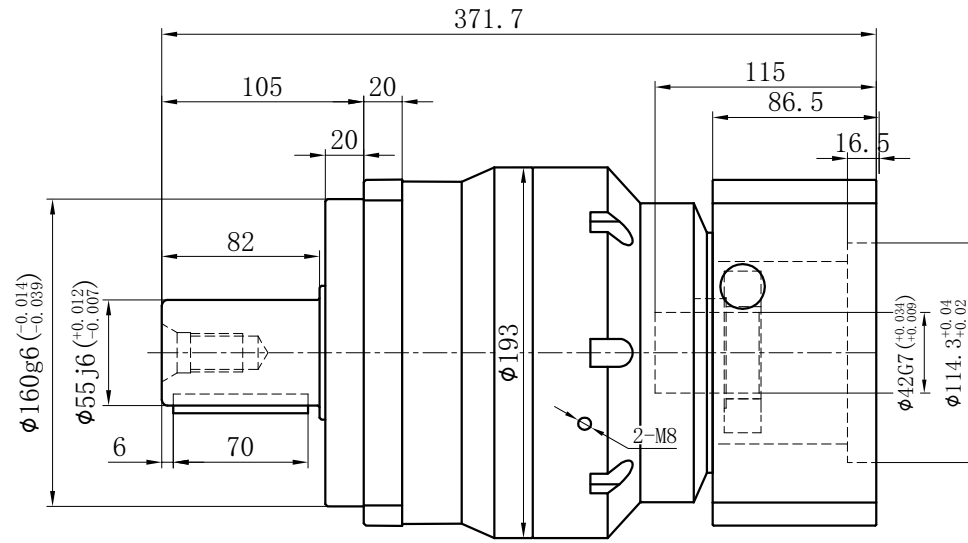
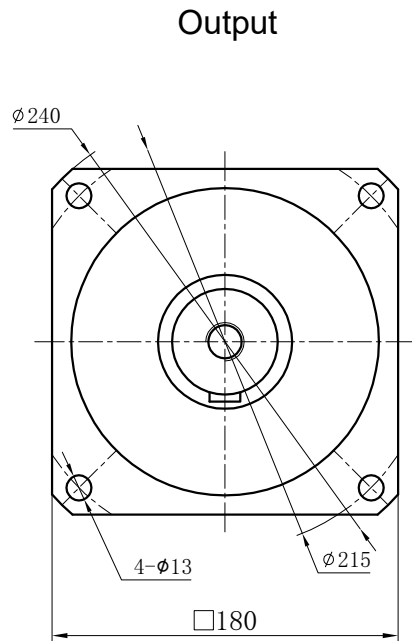


Customer name:



Transmission ratio	(A):1	Mass moments of inertia	(B)Kg.cm ²
Rated output torque	(C)Nm	Max.output torque	(D)Nm
Rated input speed	2000rpm	Max input speed	4000rpm
Max.radial force	14100N	Max.axial force	7050N
Efficiency	≥ 94%	Operating temperature	-20°~+90°
Mounting position	Any	Lubrication method	Synthetic grease
Weight ±3%	-Kg	Service life	20000h
Standard backlash	≤ 7 arcmin	Protection class	IP65
Motor power		Noise level	67dB
Motor dimensions			

	40	7.42	970	1746	Sign/Date					
	35	7.42	1050	1890			100	7.03	870	1566
	30	7.42	1050	1890			80	7.03	970	1746
	25	7.42	1180	2124			70	7.03	1050	1890
	20	7.42	1020	1836			60	7.03	1050	1890
	15	7.42	580	1044			50	7.03	1180	2124
Ratio	A	B	C	D		Ratio	A	B	C	D

NOTE				Precision planetary reducer				GCB180A	
Mark	No.	Sign	Date					GCB180A-L2	
								Shaft Type	Precision

(Above specification are for standard reducer, No standard reducer only for reference)