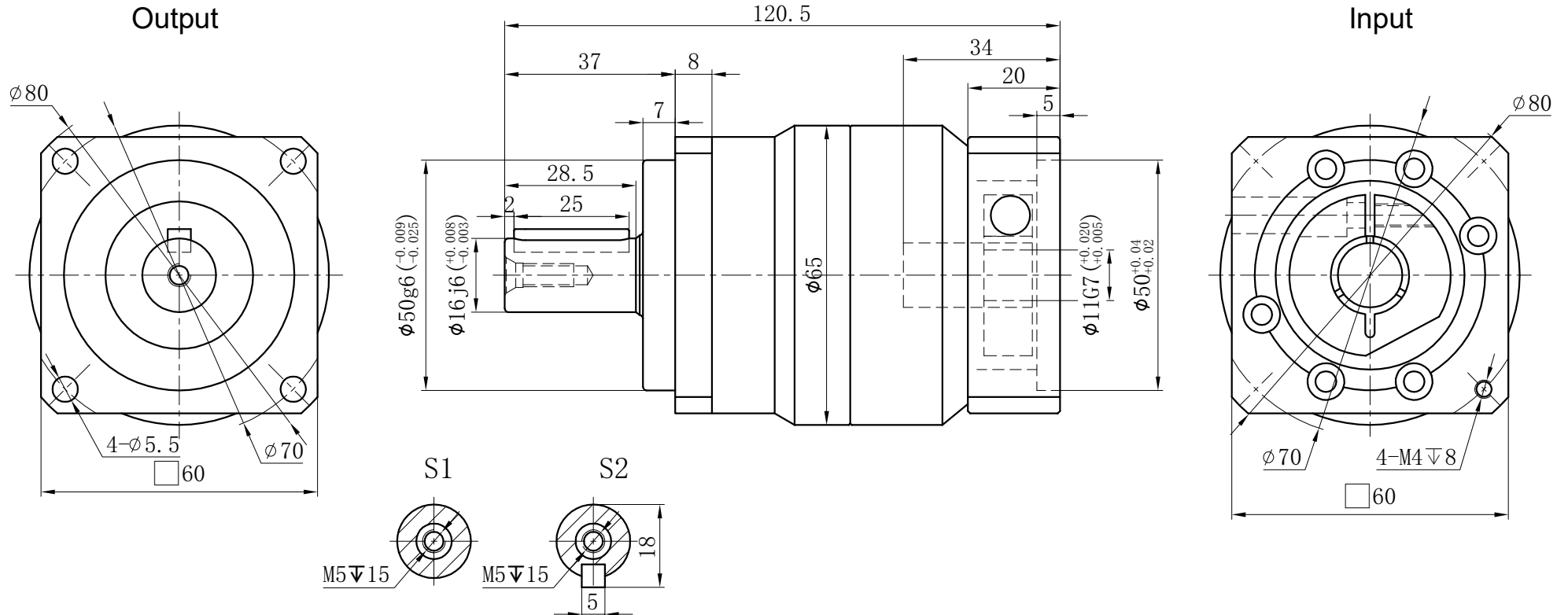


Customer Name:



Transmission Ratio	(A):1	Mass Moments Of Inertia	(B)Kg.cm ²
Rated Output Torque	(C)Nm	Max Output Torque	(D)Nm
Rated Input Speed	3000rpm	Max Input Speed	5000rpm
Max Radial Force	1530N	Max.axial Force	765N
Efficiency	≥ 97%	Operating Temperature	-20°~+90°
Mounting Position	Any	Lubrication Method	Synthetic grease
Weight ±3%	1.3Kg	Service Life	20000h
Standard Backlash	≤ 5 arcmin	Protection Class	IP65
Motor Power	-- KW	Noise Level	58dB
Motor Dimensions			

	10	0.13	35	63	Sign/Date					
	8	0.13	45	81			7	0.13	45	81
	6	0.13	50	90			5	0.13	55	99
	4	0.14	45	81			3	0.16	40	72
Ratio	A	B	C	D		Ratio	A	B	C	D
Note						Precision Planetary Reducer				GCB060A
φ14-φ11 Bushing	Mark	No.	Sign	Date						GCB060A-L1
						Shaft Type	Precision			

Above specifications are for standard reducer and may be subject to change without notice.