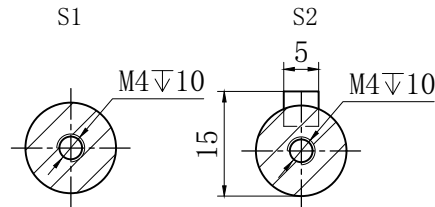
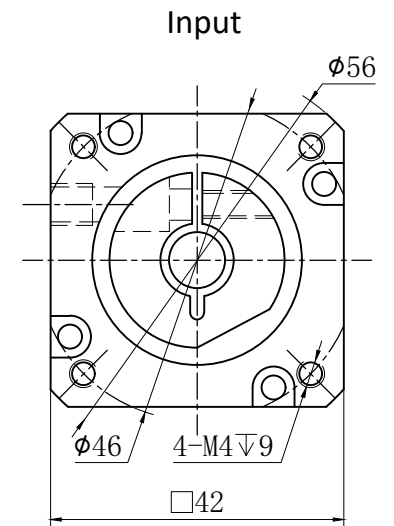
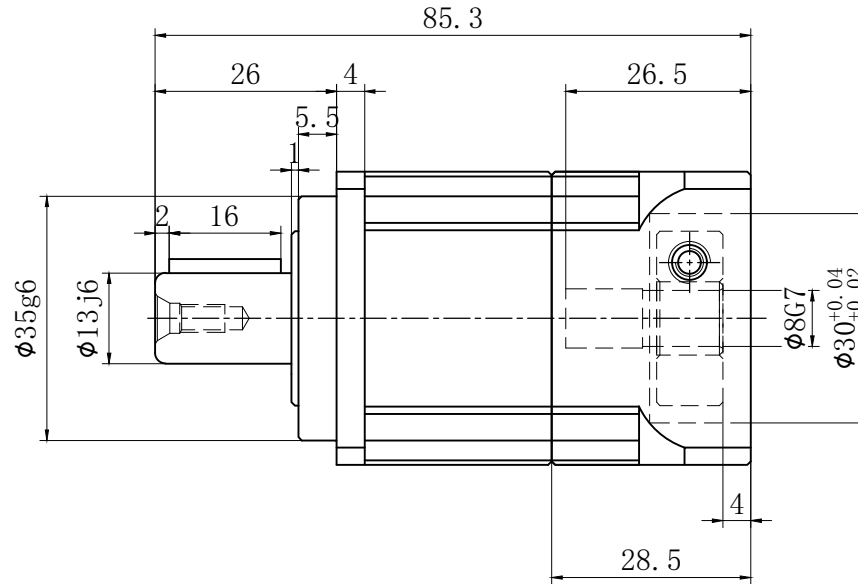
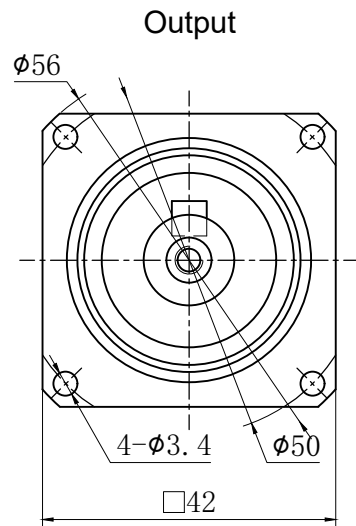


Customer name:



Transmission ratio	(A):1	Mass moments of inertia	(B)Kg.cm ²
Rated output torque	(C)Nm	Max.Output torque	(D)Nm
Rated input speed	5000rpm	Max input speed	10000rpm
Max.radial force	780N	Max.axial force	390N
Efficiency	≥ 97%	Operating temperature	-20°~+90°
Mounting position	Any	Lubrication method	Synthetic grease
Weight ±3%	0.6Kg	Service life	20000h
Standard backlash	≤ 5 arcmin	Protection class	IP65
Motor power		Noise level	55dB
Motor dimensions			

	10	0.03	14	25	Sign/Date		8	0.03	17	30.5
	7	0.03	19	34			6	0.03	20	36
	5	0.03	22	39.5						
	4	0.03	19	34						
Ratio	A	B	C	D		Ratio	A	B	C	D

NOTE				Precision Planetary Reducer				GB042	
Mark	No.	Sign	Date					GB042-L1	
A4	DRAW							Shaft Type	Precision
	CHEC								
	APPR								
	RULE								