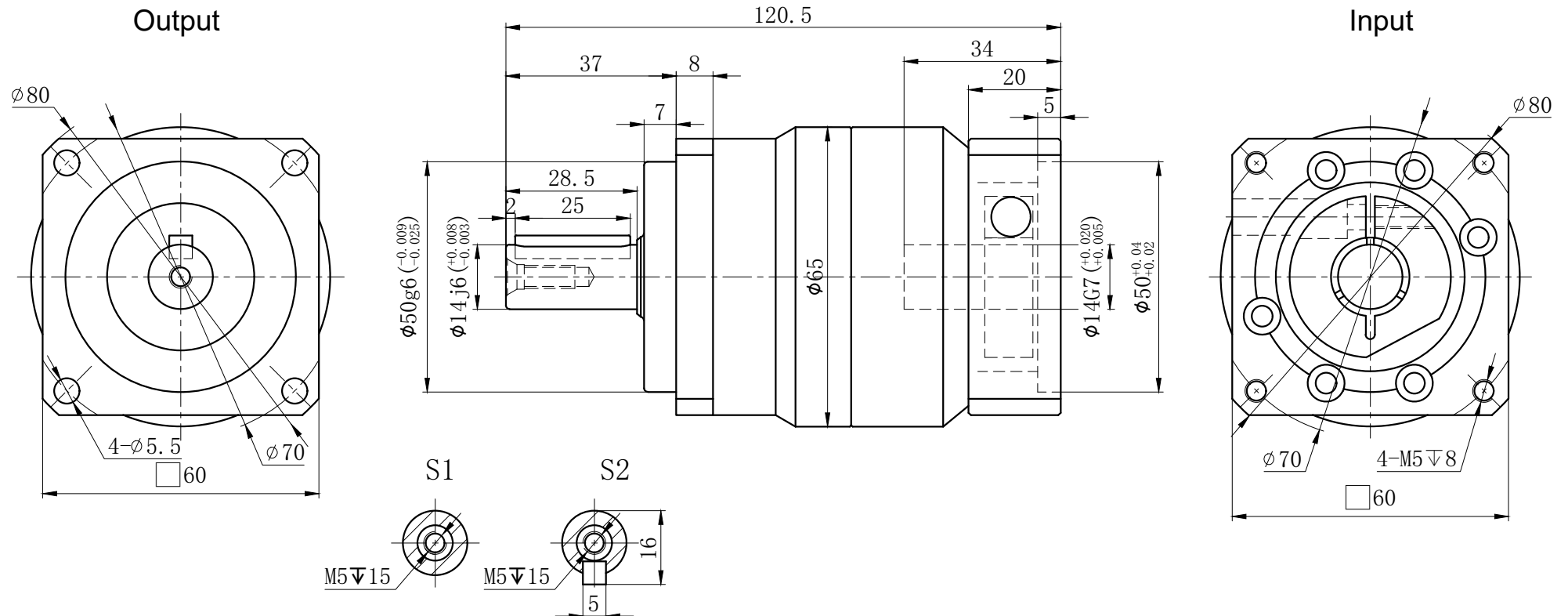


Customer Name:



Transmission Ratio	(A):1	Mass Moments Of Inertia	(B)Kg.cm ²										
Rated Output Torque	(C)Nm	Max Output Torque	(D)Nm										
Rated Input Speed	3000rpm	Max Input Speed	5000rpm	10	0.13	35	63	Sign/Date					
Max Radial Force	1530N	Max.axial Force	765N	8	0.13	45	81		7	0.13	45	81	
Efficiency	≥ 97%	Operating Temperature	-20°~+90°	6	0.13	50	90		5	0.13	55	99	
Mounting Position	Any	Lubrication Method	Synthetic grease	4	0.14	45	81		3	0.16	40	72	
Weight ±3%	1.3Kg	Service Life	20000h	Ratio	A	B	C	D	Ratio	A	B	C	D
Standard Backlash	≤ 5 arcmin	Protection Class	IP65	Note					Precision Planetary Reducer		GCB060A		
Motor Power	-- KW	Noise Level	58dB								GCB060A-L1		
Motor Dimensions				Mark	No.	Sign	Date	Shaft Type			Precision		
					DRAW								
					CHEC								
					APPR								
					RULE								

Above specifications are for standard reducer and may be subject to change without notice.