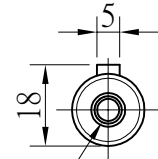
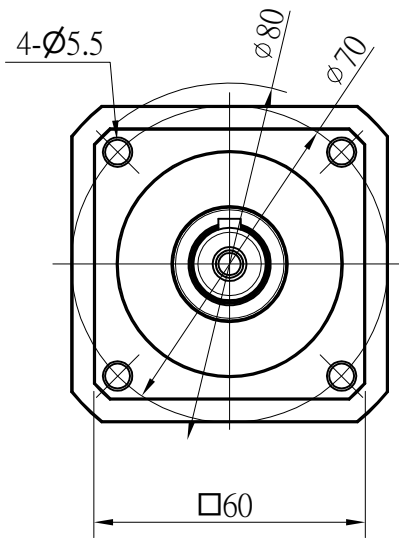
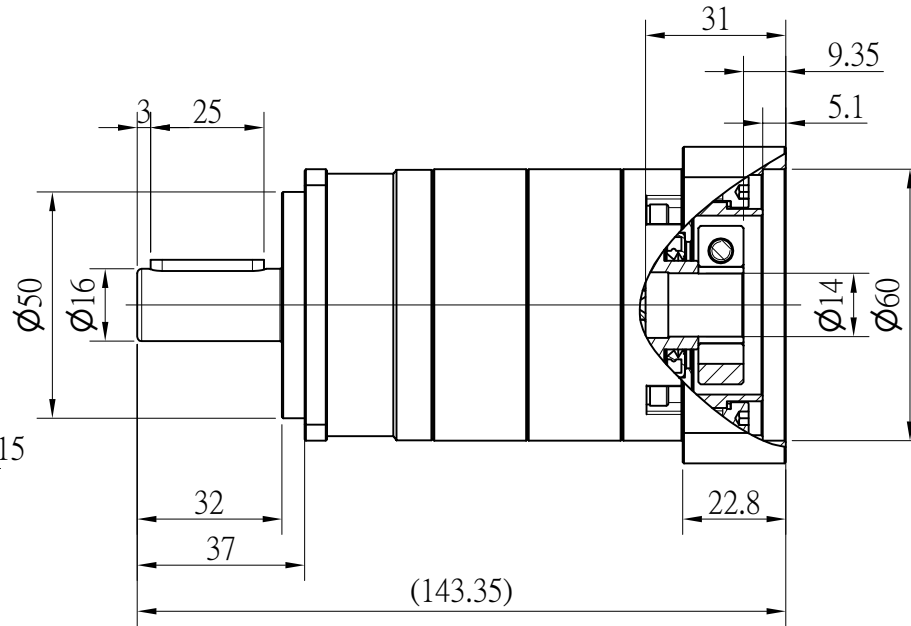


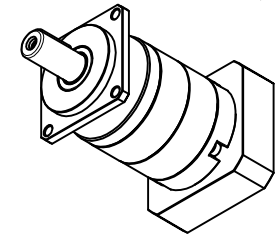
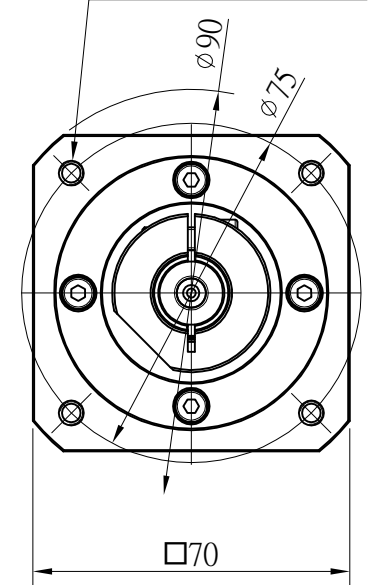
Customer Name:
Output



M6x1 - 6H dp 15



Input
4-M5x0.8 - 6H dp 12



Transmission Ratio	(<u> A</u>):1	Mass Moments Of Inertia	(<u> \ </u>)Kg.cm ²										
Rated Output Torque	(<u> C</u>)Nm	Max Output Torque	(<u> D</u>)Nm	25	49	147	Sign/Date						
Rated Input Speed	3000rpm	Max Input Speed	\	20	41	123			100	33	99		
Max Radial Force	\	Max Axial Force	\	16	41	123			70	41	123		
Efficiency	≥ 94%	Operating Temperature	-20~+90°	15	45	135			50	49	147		
Mounting Position	Any	Lubrication Method	Synthetic grease	12	45	135			35	41	123		
Weight ±3%	\	Service Life	20000h	9	45	135		30	33	99			
Standard Backlash	≤ 10 arcmin	Protection Class	IP65	Ratio	A	B	C	D	Ratio	A	B	C	D
Motor Power	-- KW	Noise Level	63dB	Note					Precision Planetary Reducer	GA062			
Motor Dimensions										GA062-L2-C9			
					Mark	No.	Sign	Date		Shaft Type	Precision		

Above specifications are for standard reducer and may be subject to change without notice.