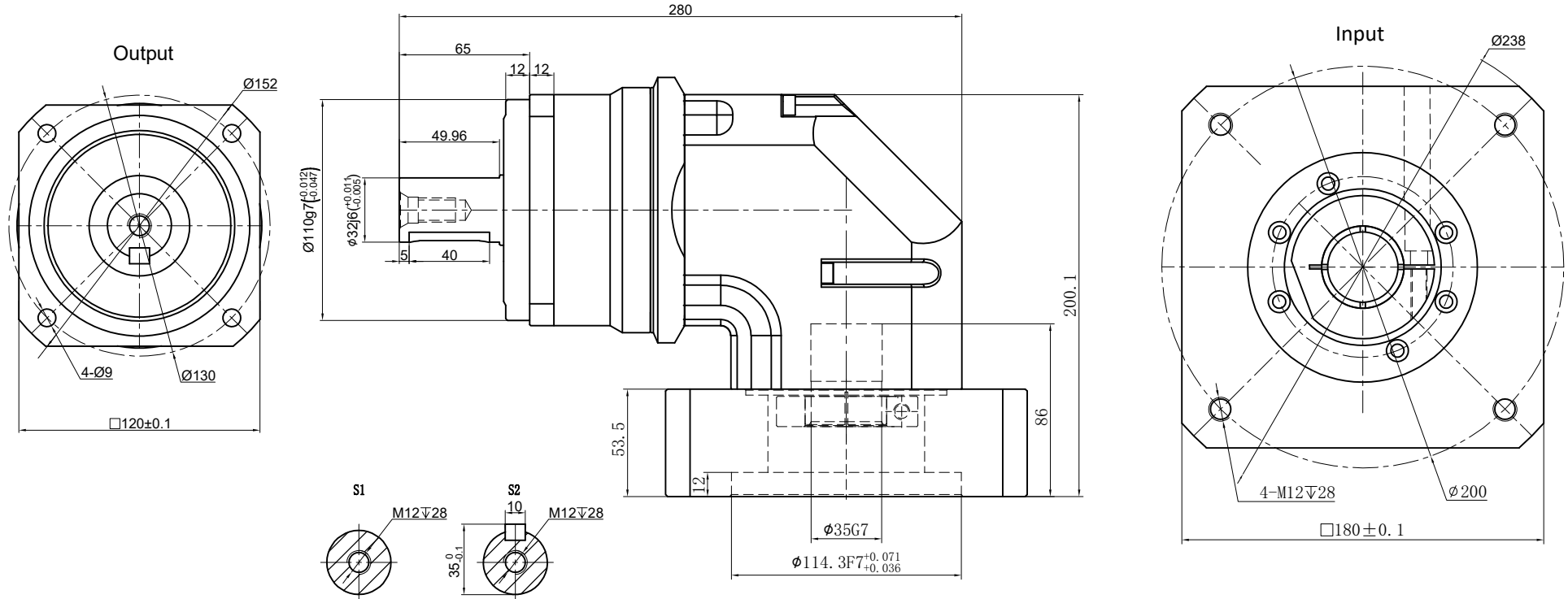


Customer name:



Transmission ratio	(A):1	Mass moments of inertia	(B)Kg.cm ²																
Rated output torque	(C)Nm	Max.Output torque	(D)Nm	20	6.25	225	405	Sign/Date	16	6.25	255	459							
Rated input speed	3000rpm	Max input speed	5000rpm	10	6.25	225	414		14	6.25	290	522							
Max.radial force	6600N	Max.axial force	3200N	7	6.84	290	540		12	6.25	305	549							
Efficiency	≥ 95%	Operating temperature	-20°~+90°	5	6.84	315	594		8	6.84	255	468							
Mounting position	Any	Lubrication method	Synthetic grease	4	6.84	245	522		6	6.84	305	558							
Weight ±3%	13Kg	Service life	20000h	Ratio	A	B	C	D	Ratio	A	B	C	D						
Standard backlash	≤ 8 arcmin	Protection class	IP65	NOTE								Precision Planetary Reducer				GCBR120			
Motor power		Noise level	70dB									GCBR120-L1							
Motor dimensions												Shaft Type				Precision			