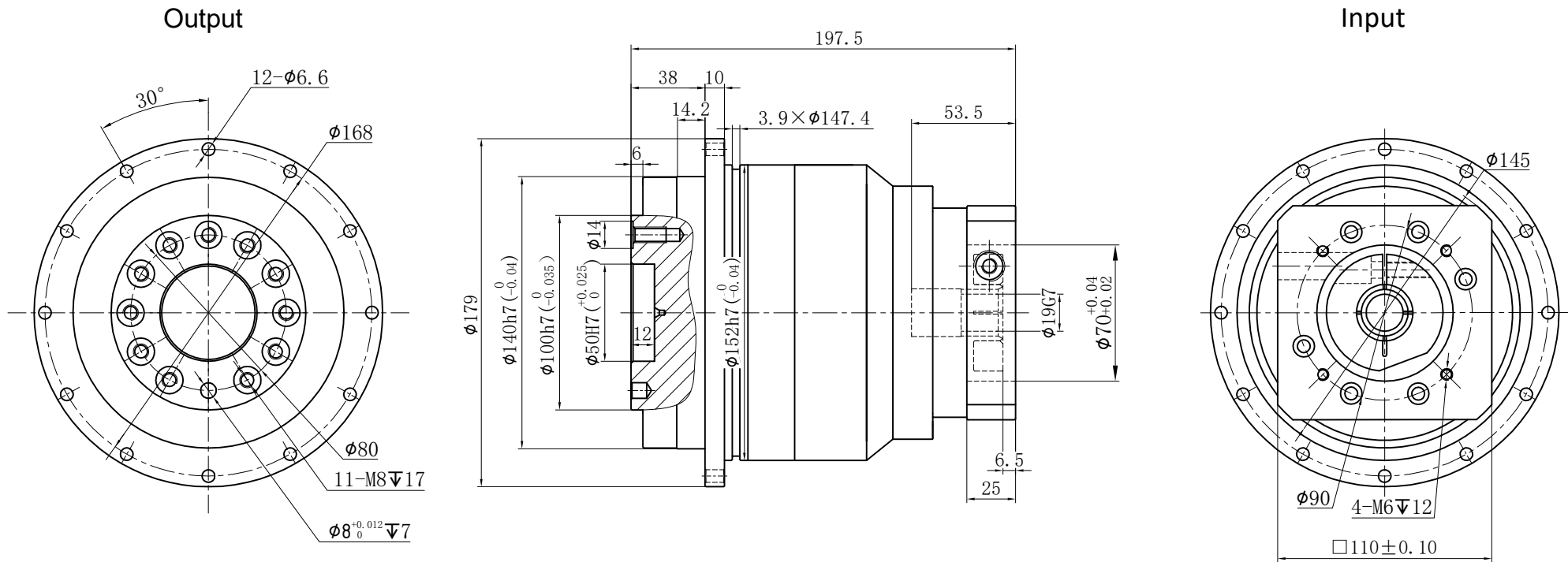


Customer Name:



|                     |                 |                         |                                |                        |      |      |      |           |                             |       |     |            |           |  |  |
|---------------------|-----------------|-------------------------|--------------------------------|------------------------|------|------|------|-----------|-----------------------------|-------|-----|------------|-----------|--|--|
| Transmission Ratio  | ( <u>A</u> ):1  | Mass Moments Of Inertia | ( <u>B</u> )Kg.cm <sup>2</sup> |                        |      |      |      |           |                             |       |     |            |           |  |  |
| Rated Output Torque | ( <u>C</u> )Nm  | Max Output Torque       | ( <u>D</u> )Nm                 | 20                     | 2.71 | 560  | 1008 | Sign/Date | 100                         | 2.57  | 450 | 810        |           |  |  |
| Rated Input Speed   | 3000rpm         | Max Input Speed         | 6000rpm                        | 25                     | 2.71 | 650  | 1170 |           |                             |       |     |            |           |  |  |
| Max Bending Moment  | 1300N           | Max Axial Force         | 10590N                         | 35                     | 2.71 | 550  | 990  |           |                             |       |     |            |           |  |  |
| Efficiency          | $\geq 94\%$     | Operating Temperature   | $-20^\circ \sim +90^\circ$     | 40                     | 2.71 | 560  | 1008 |           |                             |       |     |            |           |  |  |
| Mounting Position   | Any             | Lubrication Method      | Synthetic grease               | 50                     | 2.57 | 650  | 1170 |           |                             |       |     |            |           |  |  |
| Weight $\pm 3\%$    | 15.9Kg          | Service Life            | 30000h                         | 70                     | 2.57 | 550  | 990  |           |                             |       |     |            |           |  |  |
| Standard Backlash   | $\leq 7$ arcmin | Protection Class        | IP65                           | Ratio                  | A    | B    | C    | D         | Ratio                       | A     | B   | C          | D         |  |  |
| Motor Power         | -- KW           | Noise Level             | 65dB                           | Note                   |      |      |      |           |                             |       |     |            |           |  |  |
| Motor Dimensions    |                 |                         |                                | $\phi 24$ to $\phi 19$ | Mark | No.  | Sign | Date      | Precision Planetary Reducer | GD140 |     |            |           |  |  |
|                     |                 |                         |                                |                        |      | DRAW |      |           |                             |       |     | GD140-L2   |           |  |  |
|                     |                 |                         |                                |                        |      | CHEC |      |           |                             |       |     | Shaft Type | Precision |  |  |
|                     |                 |                         |                                |                        |      | APPR |      |           |                             |       |     |            |           |  |  |
|                     |                 |                         |                                | RULE                   |      |      |      |           |                             |       |     |            |           |  |  |

Above specifications are for standard reducer and may be subject to change without notice.