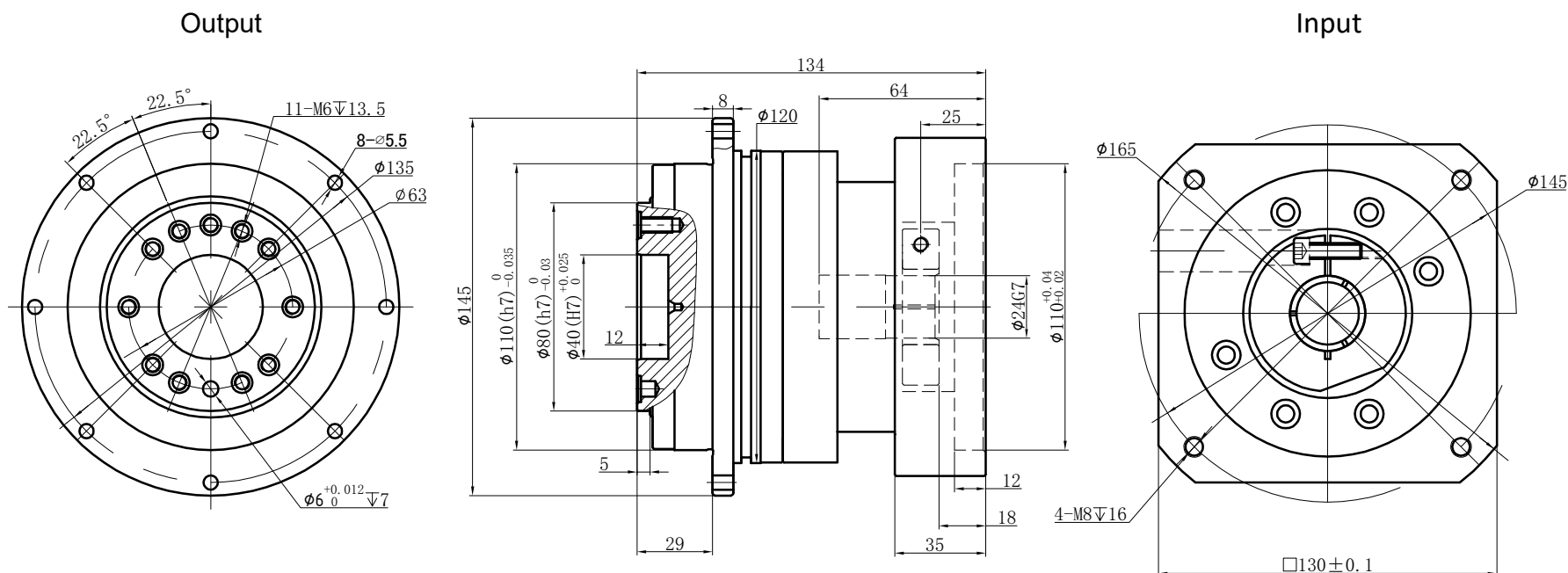
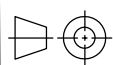



Customer name:



Transmission ratio	(A):1	Mass moments of inertia	(B)Kg.cm ²																
Rated output torque	(C)Nm	Max.Output torque	(D)Nm																
Rated input speed	4000rpm	Max input speed	8000rpm		10	2.57	230	414	Sign/Date										
Max Benging Moment	235Nm	Max.axial force	2990N		7	2.62	300	540											
Efficiency	≥ 97%	Operating temperature	-20°~+90°		5	2.71	330	594											
Mounting position	Any	Lubrication method	Synthetic grease	Ratio	4	2.87	270	486											
Weight ±3%	5.6Kg	Service life	20000h	Ratio	A	B	C	D	Ratio	A	B	C	D						
Standard backlash	≤ 5 arcmin	Protection class	IP65	NOTE				Precision Planetary Reducer				GD110							
Motor power		Noise level	60dB					Mark				No.				Sign			
Motor dimensions				DRAW				CHEC				APPR				RULE			
												GD110-L1				Shaft Type		Precision	