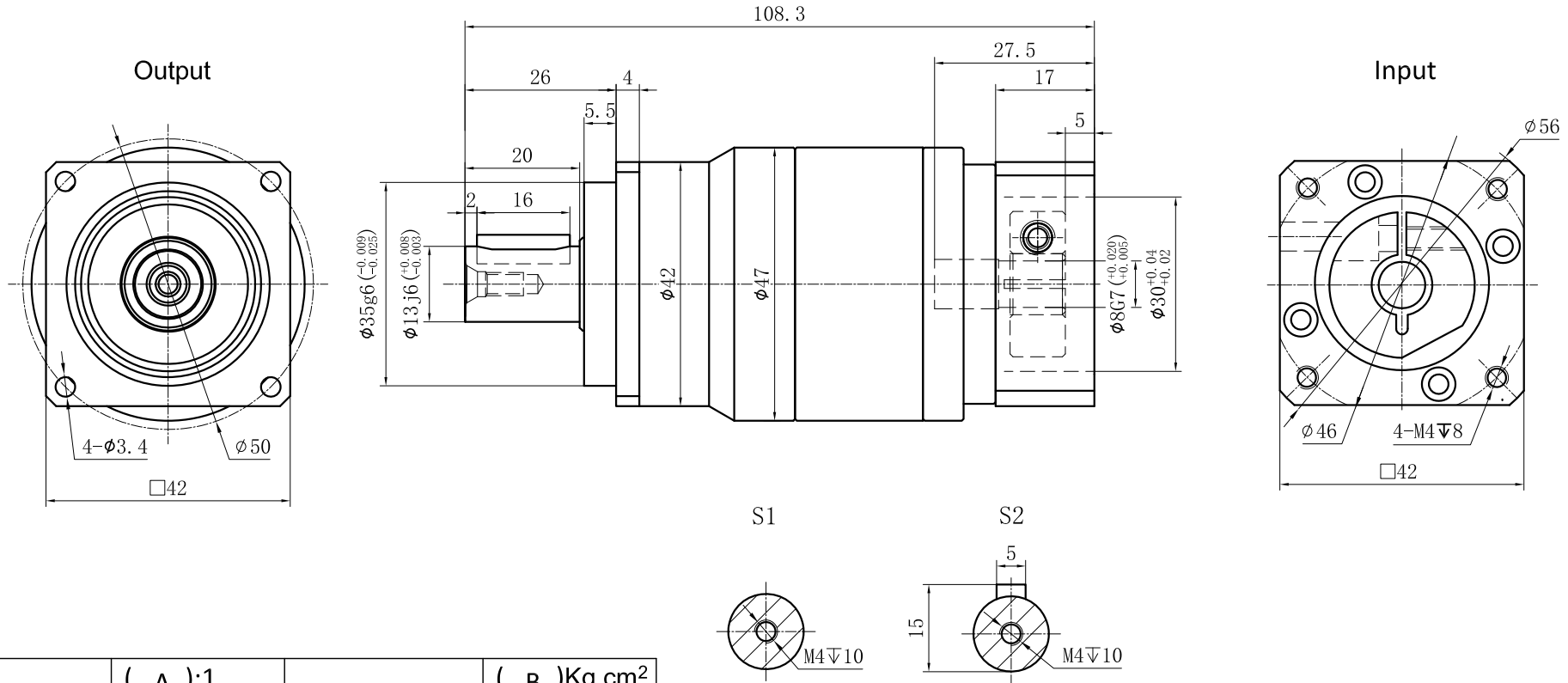


Customer name:



Transmission ratio	( A ):1	Mass moments of inertia	( B )Kg.cm <sup>2</sup>
Rated output torque	( C )Nm	Max.Output torque	( D )Nm
Rated input speed	3000rpm	Max input speed	6000rpm
Max.radial force	760N	Max.axial force	380N
Efficiency	≥ 94%	Operating temperature	-20°~+90°
Mounting position	Any	Lubrication method	Synthetic grease
Weight ±3%	0.7Kg	Service life	20000h
Standard backlash	≤ 5 arcmin	Protection class	IP65
Motor power		Noise level	56dB
Motor dimensions			

	40	0.03	16	28.8	Sign/Date	100	0.03	14	25.2	
	35	0.03	18	32.4		80	0.03	16	28.8	
	30	0.03	18	32.4		70	0.03	18	32.4	
	25	0.03	19	34.2		60	0.03	18	32.4	
	20	0.03	17	30.6		50	0.03	19	34.2	
Ratio	A	B	C	D		Ratio	A	B	C	D

NOTE				Precision Planetary Reducer				GCB042	
								GCB042-L2	
								Shaft Type Precision	

Mark	No.	Sign	Date
A4	DRAW		
	CHEC		
	APPR		
	RULE		



Above specification are for standard reducer, No standard reducer only for reference