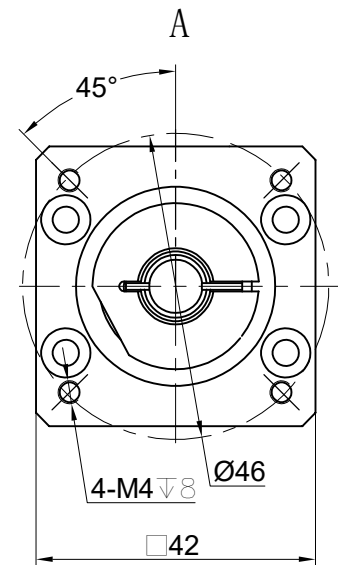
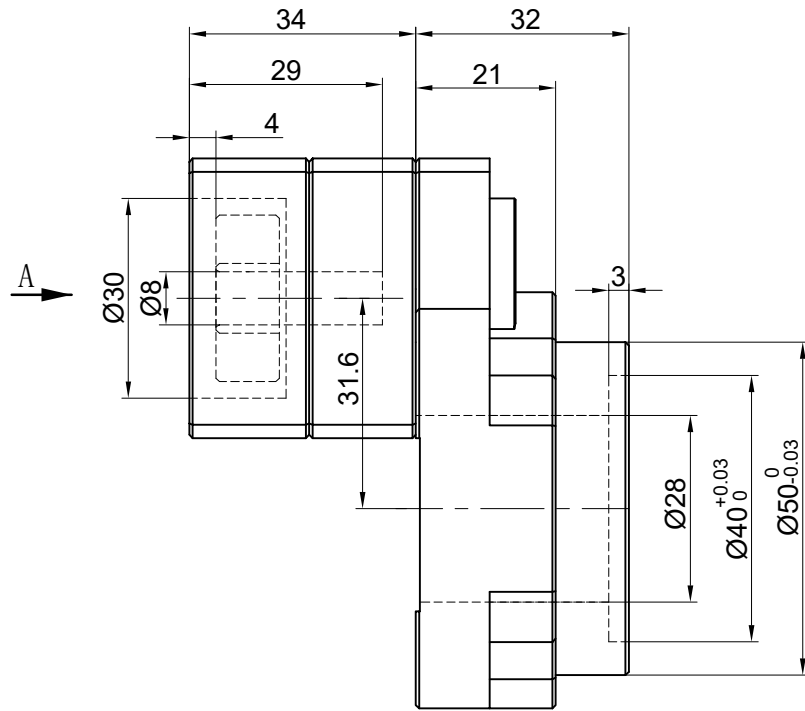
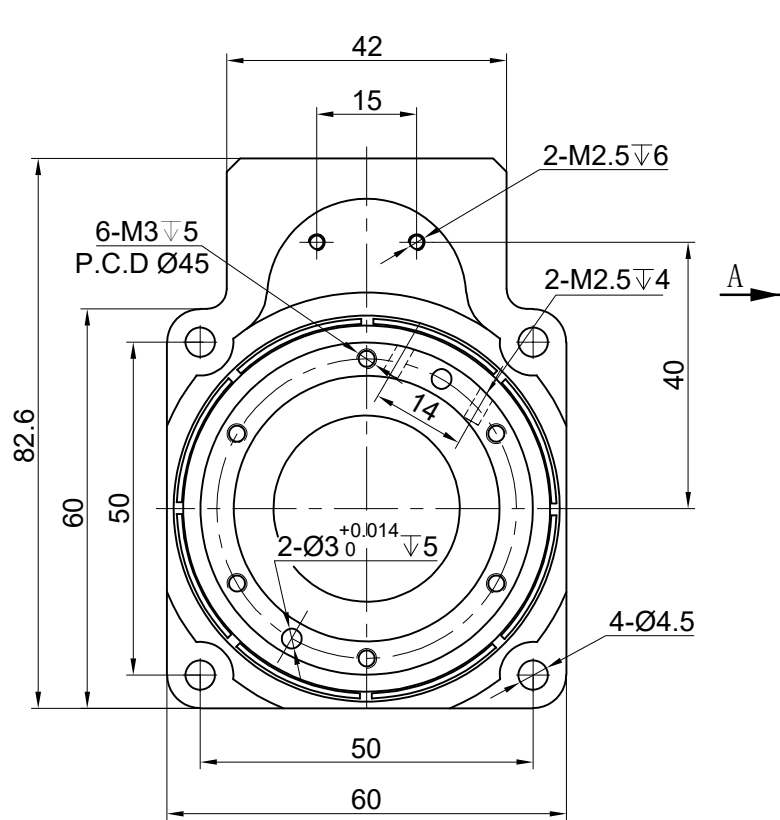


Customer name:



Allowable torque	N.m	3	Bearing type	Cross roller bearing	Sign/Date	Mark	No.	Sign	Date	Precision Planetary Reducer	GMN060	
Allowable disk output speed	rpm	200	Positioning accuracy	arcmin							3	GMN060-10
Allowable axial load	N	250	Repeat positioning accuracy	arcsec	±10	NOTE	DRAW	APPR	RULE	Shaft Type	Precision	
Allowable moment of inertia load	N.m	5.4	Concentricity of rotating platform	±0.01								
Moment of inertia	kg.m ²	4500x10 ⁻⁷	Mounting parallelism	±0.01	NOTE	DRAW	APPR	RULE	Shaft Type	Precision		
Service life	H	20000	Output runout	±0.02								
Weight	kg	0.6	Protection class	IP40								

