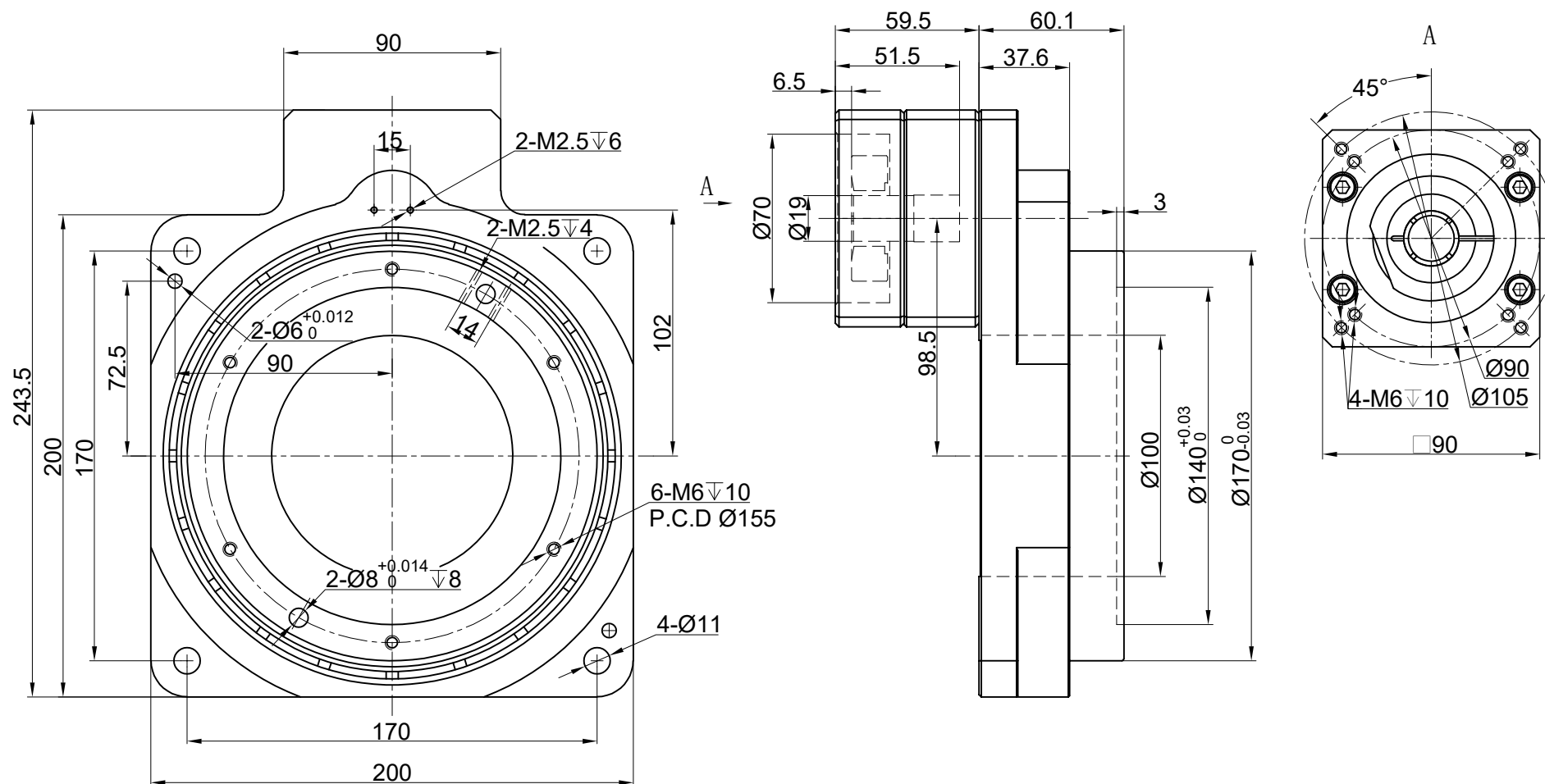


Customer name:



Allowable torque	N.m	50	Bearing type	Cross roller bearing	Sign/Date	Mark	No.	Sign	Date	Precision Planetary Reducer	GMN200	
Allowable disk output speed	rpm	200	Positioning accuracy	arcmin							3	GMN200-18
Allowable axial load	N	4000	Repeat positioning accuracy	arcsec	± 10	NOTE	DRAW	APPR	RULE	Shaft Type	Precision	
Allowable moment of inertia load	N.m	90	Concentricity of rotating platform	± 0.01								
Moment of inertia	kg.m ²	876410×10^{-7}	Mounting parallelism	± 0.01	NOTE	DRAW	APPR	RULE	Shaft Type	Precision		
Service life	H	20000	Output runout	± 0.02								
Weight	kg	8	Protection class	IP40								

