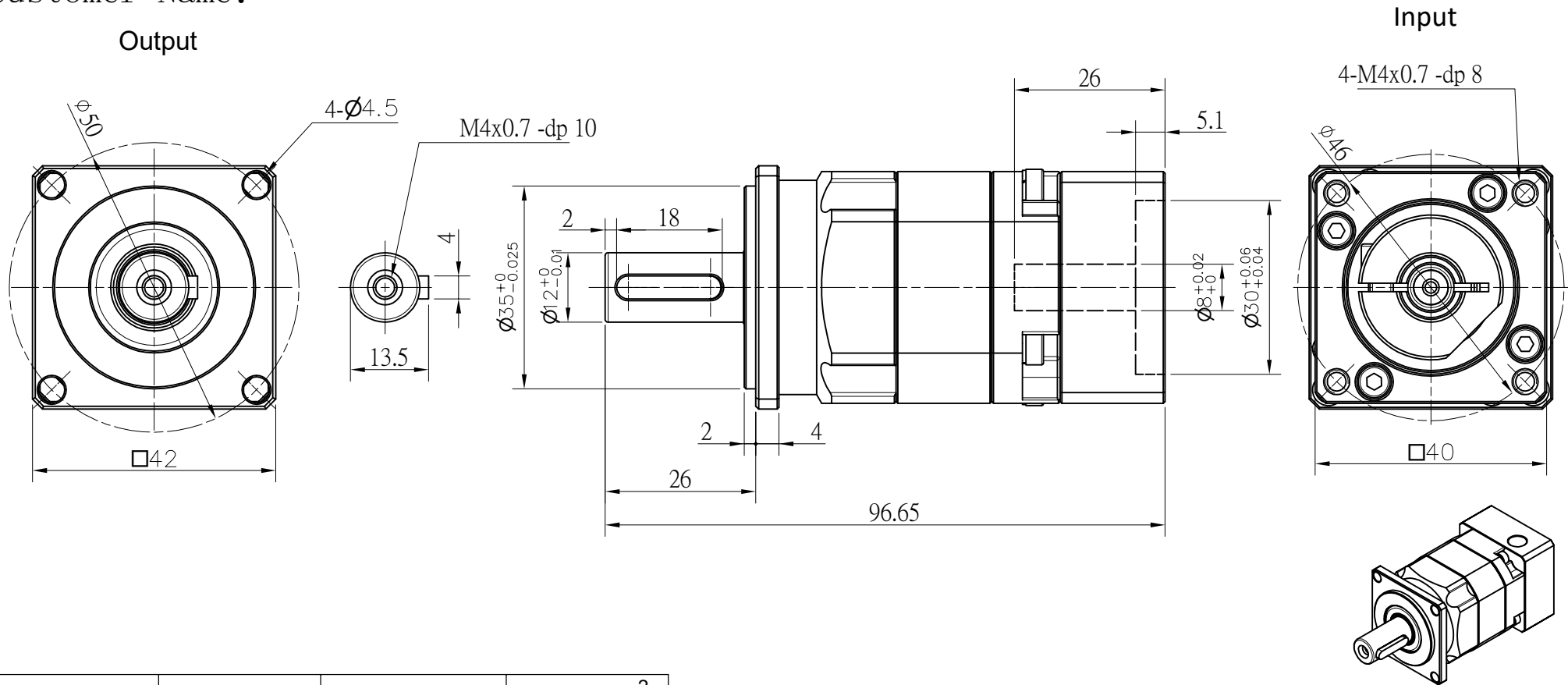


Customer Name:



Transmission Ratio	( <u> A</u> ):1	Mass Moments Of Inertia	( <u> \</u> )Kg.cm <sup>2</sup>						Sign/Date					
Rated Output Torque	( <u> C</u> )Nm	Max Output Torque	( <u> D</u> )Nm											
Rated Input Speed	3000rpm	Max Input Speed	\											
Max Radial Force	\	Max Axial Force	\											
Efficiency	≥ 97%	Operating Temperature	-20°~+90°	Ratio	10	13	39			Ratio	A	B	C	D
Mounting Position	Any	Lubrication Method	Synthetic grease	Note					Precision Planetary Reducer					
Weight ±3%	\	Service Life	20000h						GA042					
Standard Backlash	≤ 10 arcmin	Protection Class	IP65						GA042-L1-A4					
Motor Power	-- KW	Noise Level	60dB						Shaft Type Precision					
Motor Dimensions														

Above specifications are for standard reducer and may be subject to change without notice.