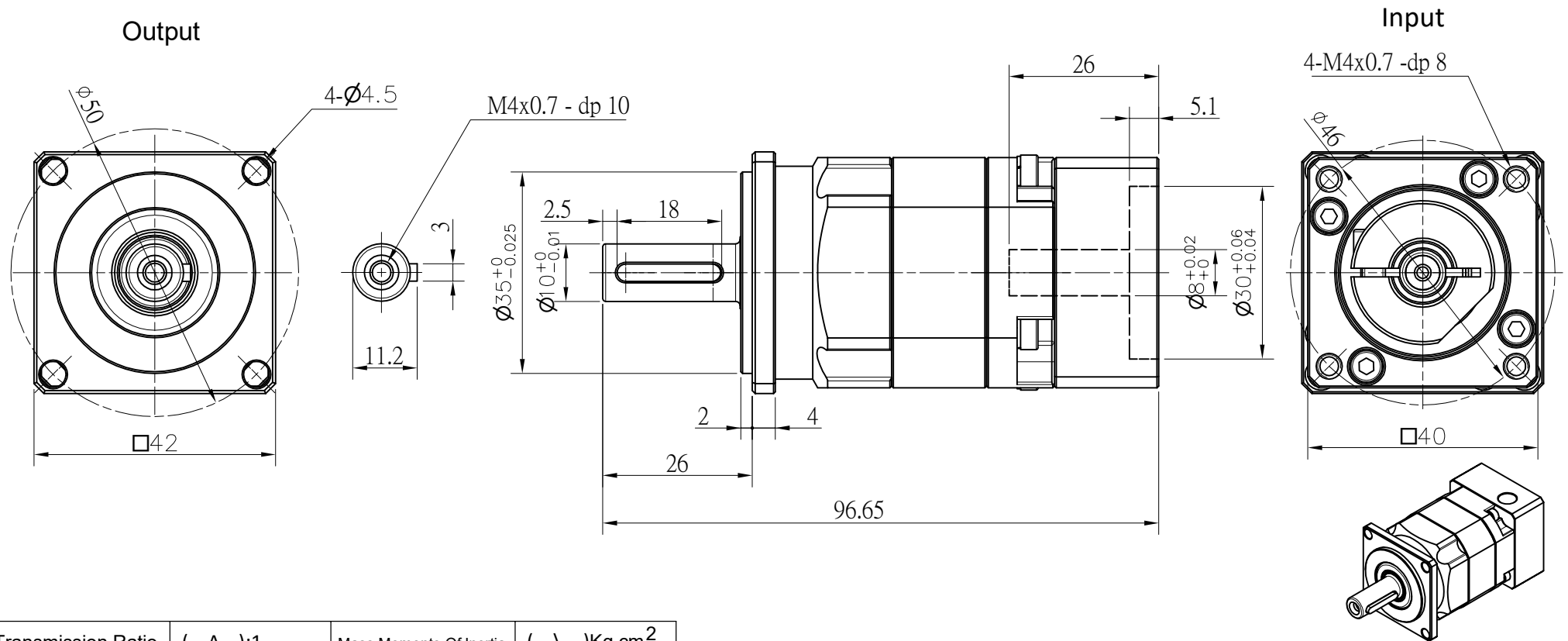


Customer Name:



Transmission Ratio	(<u> A </u>):1	Mass Moments Of Inertia	(<u> \ </u>)Kg.cm ²						Sign/Date																																	
Rated Output Torque	(<u> C </u>)Nm	Max Output Torque	(<u> D </u>)Nm																																							
Rated Input Speed	3000rpm	Max Input Speed	\																																							
Max Radial Force	\	Max Axial Force	\																																							
Efficiency	≥ 97%	Operating Temperature	-20~+90°	Ratio	10	13	39																																			
Mounting Position	Any	Lubrication Method	Synthetic grease	A	B	C	D																																			
Weight ±3%	\	Service Life	20000h	Note					Precision Planetary Reducer																																	
Standard Backlash	≤ 10 arcmin	Protection Class	IP65						GA042																																	
Motor Power	-- KW	Noise Level	60dB						GA042-L1-A1																																	
Motor Dimensions									Shaft Type Precision																																	
				<table border="1"> <tr> <td>Mark</td> <td>No.</td> <td>Sign</td> <td>Date</td> <td colspan="2"></td> </tr> <tr> <td colspan="2">DRAW</td> <td colspan="2"></td> <td colspan="2"></td> </tr> <tr> <td colspan="2">CHEC</td> <td colspan="2"></td> <td colspan="2"></td> </tr> <tr> <td colspan="2">APPR</td> <td colspan="2"></td> <td colspan="2"></td> </tr> <tr> <td colspan="2">RULE</td> <td colspan="2"></td> <td colspan="2"></td> </tr> </table>				Mark	No.	Sign	Date			DRAW						CHEC						APPR						RULE										
Mark	No.	Sign	Date																																							
DRAW																																										
CHEC																																										
APPR																																										
RULE																																										

Above specifications are for standard reducer and may be subject to change without notice.