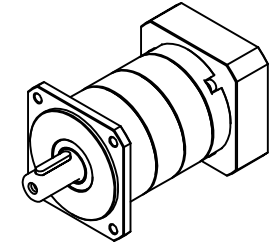
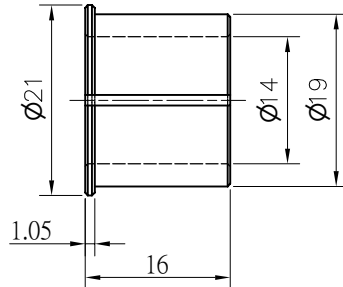
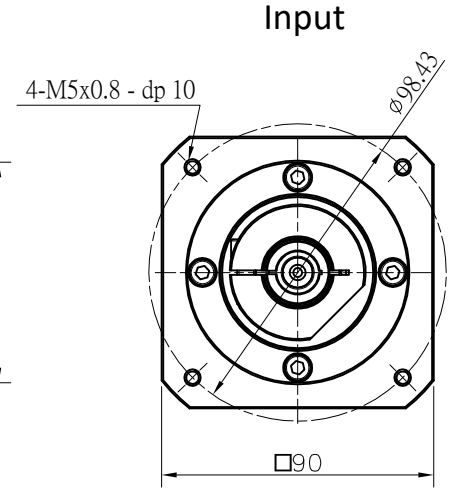
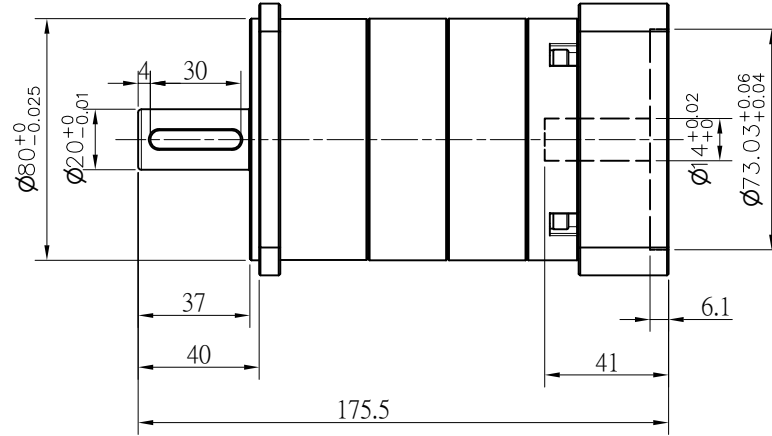
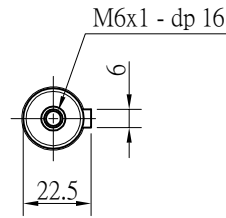
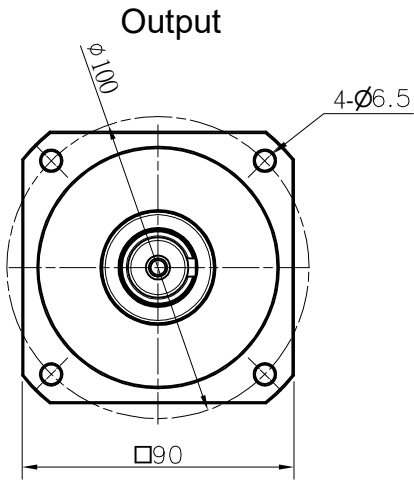


Customer Name:



Transmission Ratio	(A):1	Mass Moments Of Inertia	(\)Kg.cm ²													
Rated Output Torque	(C)Nm	Max Output Torque	(D)Nm							Sign/Date						
Rated Input Speed	3000rpm	Max Input Speed	\													
Max Radial Force	\	Max Axial Force	\													
Efficiency	≥ 94%	Operating Temperature	-20°~+90°													
				Ratio	50		135	405				Ratio	A	B	C	D
Mounting Position	Any	Lubrication Method	Synthetic grease	Note								Precision Planetary Reducer		GA090		
Weight ±3%	\	Service Life	20000h													
Standard Backlash	≤ 8 arcmin	Protection Class	IP65													
Motor Power	-- KW	Noise Level	65dB													
Motor Dimensions																

Above specifications are for standard reducer and may be subject to change without notice.