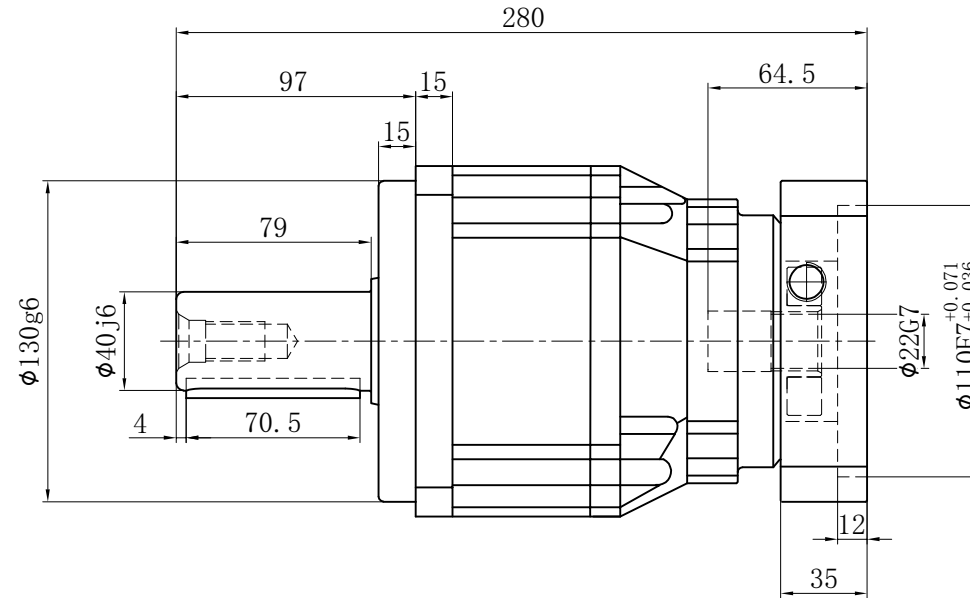
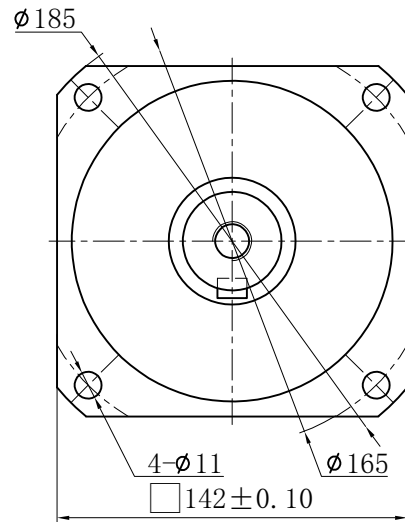
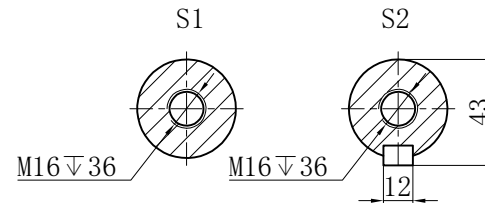
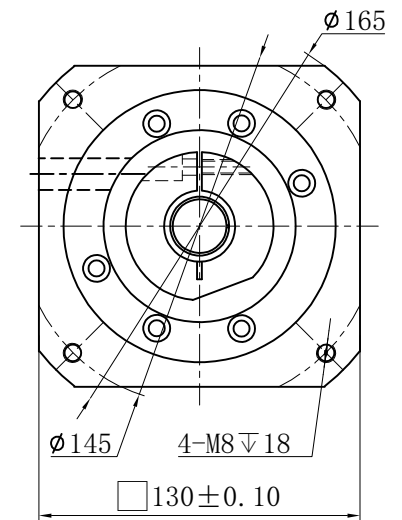


Customer Name:

Output



Input



Transmission Ratio	( <u>A</u> ):1	Mass Moments Of Inertia	( <u>B</u> )Kg.cm <sup>2</sup>											
Rated Output Torque	( <u>C</u> )Nm	Max Output Torque	( <u>D</u> )Nm	15	2.71	342	615	Sign/Date	50	2.57	650	1170		
Rated Input Speed	3000rpm	Max Input Speed	6000rpm	20	2.71	542	975		60	2.57	600	1080		
Max Radial Force	9400N	Max Axial Force	4700N	25	2.71	650	1170		70	2.57	550	990		
Efficiency	≥ 94%	Operating Temperature	-20°~+90°	30	2.71	600	1080		80	2.57	500	900		
Mounting Position	Any	Lubrication Method	Synthetic grease	35	2.71	550	990		100	2.57	450	810		
Weight ±3%	17.5Kg	Service Life	20000h	40	2.71	500	900							
Standard Backlash	≤ 7 arcmin	Protection Class	IP65	Ratio	A	B	C	D	Ratio	A	B	C	D	
Motor Power	-- KW	Noise Level	65dB	Note					Precision Planetary Reducer	GB142				
Motor Dimensions				ø24 to ø22	Mark	No.	Sign	Date		GB142-L2				
										Shaft Type	Precision			

Above specifications are for standard reducer and may be subject to change without notice.