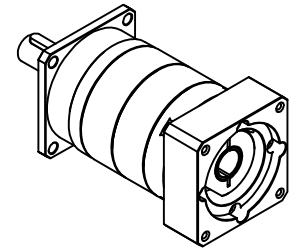
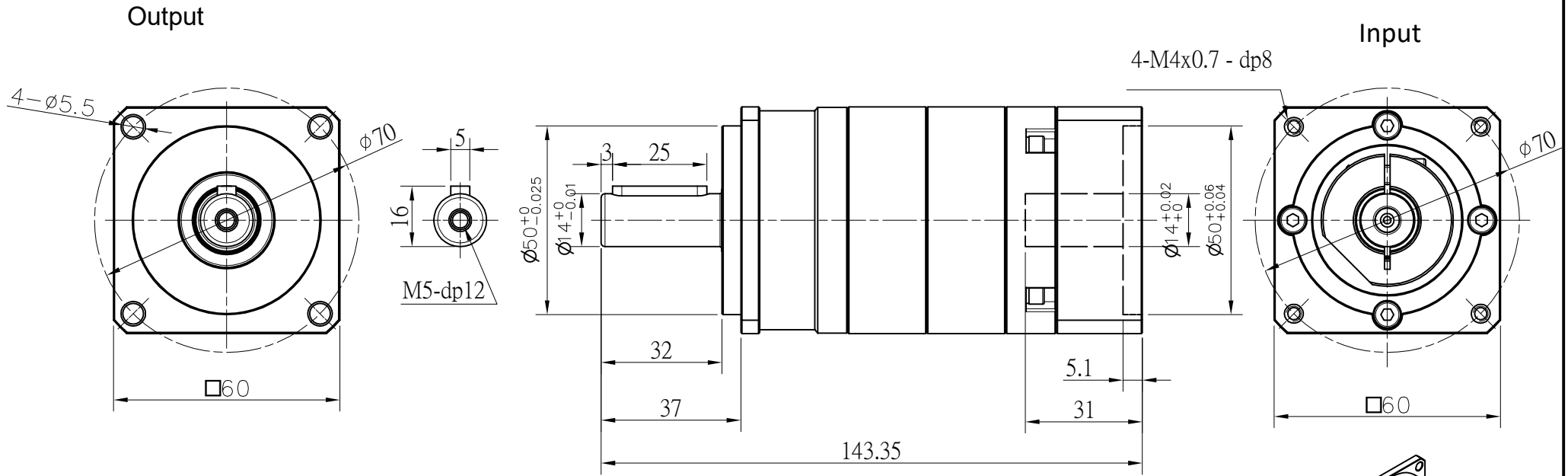


Customer Name:



Transmission Ratio	( <u> A</u> ):1	Mass Moments Of Inertia	( <u> \ </u> )Kg.cm <sup>2</sup>								
Rated Output Torque	( <u> C</u> )Nm	Max Output Torque	( <u> D</u> )Nm	25	49	147	Sign/Date	100	33	99	
Rated Input Speed	3000rpm	Max Input Speed	\	20	41	123		70	41	123	
Max Radial Force	\	Max Axial Force	\	16	41	123		50	49	147	
Efficiency	≥ 94%	Operating Temperature	-20°~+90°	15	45	135		35	41	123	
Mounting Position	Any	Lubrication Method	Synthetic grease	12	45	135		30	33	99	
Weight ±3%	\	Service Life	20000h	9	45	135	Ratio	A	B	C	D
Standard Backlash	≤ 10 arcmin	Protection Class	IP65	Note							
Motor Power	-- KW	Noise Level	63dB								
Motor Dimensions											
				Precision Planetary Reducer				GA062			
				Mark				No. Sign Date			
				DRAW				Gearko®			
				CHEC				Shaft Type Precision			
				APPR							
				RULE							

Above specifications are for standard reducer and may be subject to change without notice.