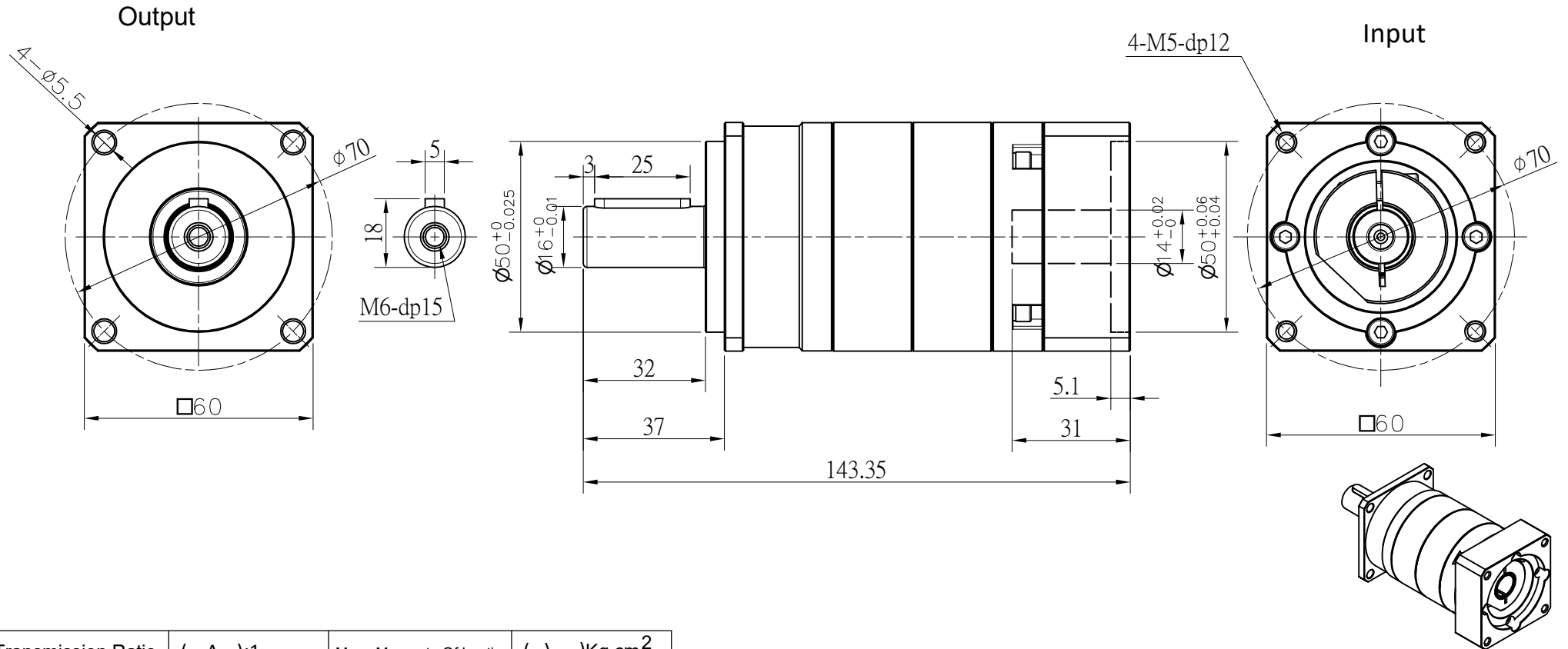


Customer Name:



Transmission Ratio	( <u> A</u> ):1	Mass Moments Of Inertia	( <u> \ </u> )Kg.cm <sup>2</sup>										
Rated Output Torque	( <u> C</u> )Nm	Max Output Torque	( <u> D</u> )Nm	25	49	147	Sign/Date	100	33	99			
Rated Input Speed	3000rpm	Max Input Speed	\	20	41	123		70	41	123			
Max Radial Force	\	Max Axial Force	\	16	41	123		50	49	147			
Efficiency	≥ 94%	Operating Temperature	-20~+90°	15	45	135		35	41	123			
Mounting Position	Any	Lubrication Method	Synthetic grease	12	45	135		30	33	99			
Weight ±3%	\	Service Life	20000h	9	45	135							
Standard Backlash	≤ 10 arcmin	Protection Class	IP65	Ratio	A	B	C	D	Ratio	A	B	C	D
Motor Power	-- KW	Noise Level	63dB	Note					Precision Planetary Reducer	GA062			
Motor Dimensions				Mark	No.	Sign	Date			GA062-L2-A5			
										Shaft Type	Precision		

Above specifications are for standard reducer and may be subject to change without notice.