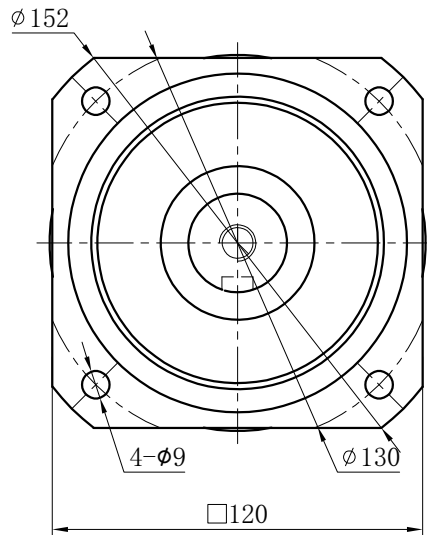
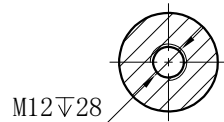


Customer name:

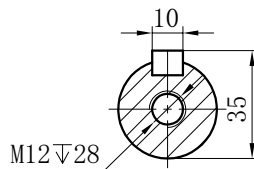
Output



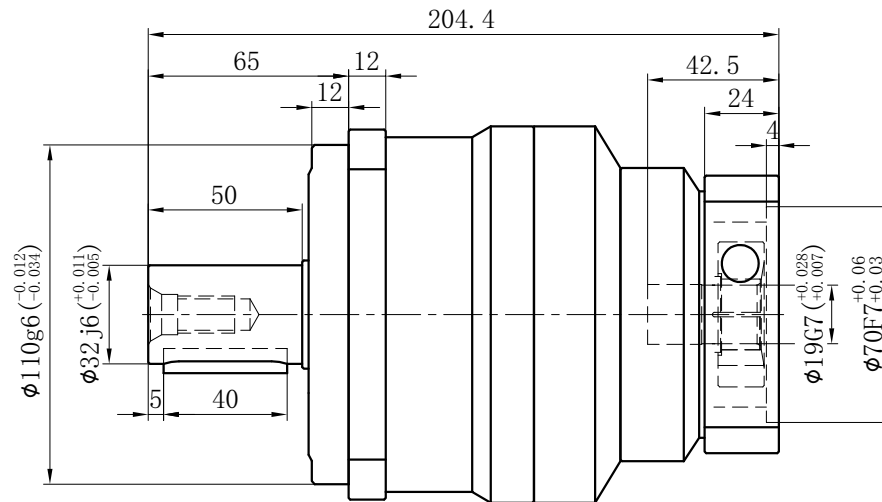
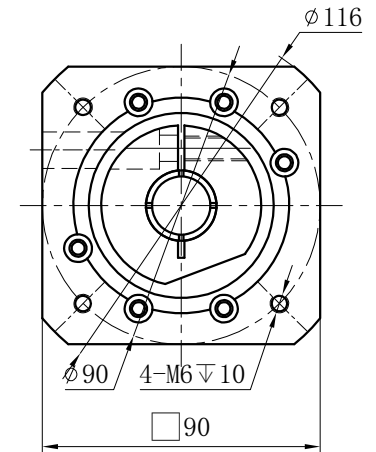
S1



S2



Input



Transmission ratio	( A ):1	Mass moments of inertia	( B )Kg.cm <sup>2</sup>																
Rated output torque	( C )Nm	Max.Output torque	( D )Nm	40	0.47	255	459	Sign/Date											
Rated input speed	3000rpm	Max input speed	6000rpm	35	0.47	300	540		100	0.44	220	396							
Max.radial force	6700N	Max.axial force	3350N	30	0.47	310	558		80	0.44	255	459							
Efficiency	≥ 94%	Operating temperature	-20°~+90°	25	0.47	320	576		70	0.44	300	540							
Mounting position	Any	Lubrication method	Synthetic grease	20	0.47	280	504		60	0.44	310	558							
Weight ±3%	9Kg	Service life	20000h	15	0.47	200	360	50	0.44	320	576								
Standard backlash	≤ 7 arcmin	Protection class	IP65	Ratio	A	B	C	D	Ratio	A	B	C	D						
Motor power		Noise level	63dB	NOTE								Precision Planetary Reducer		GCB120A					
Motor dimensions												GCB120A-L2							
				Mark				No.				Sign				Date			
				DRAW															
				CHEC															
				APPR															
				RULE															
												Shaft Type				Precision			