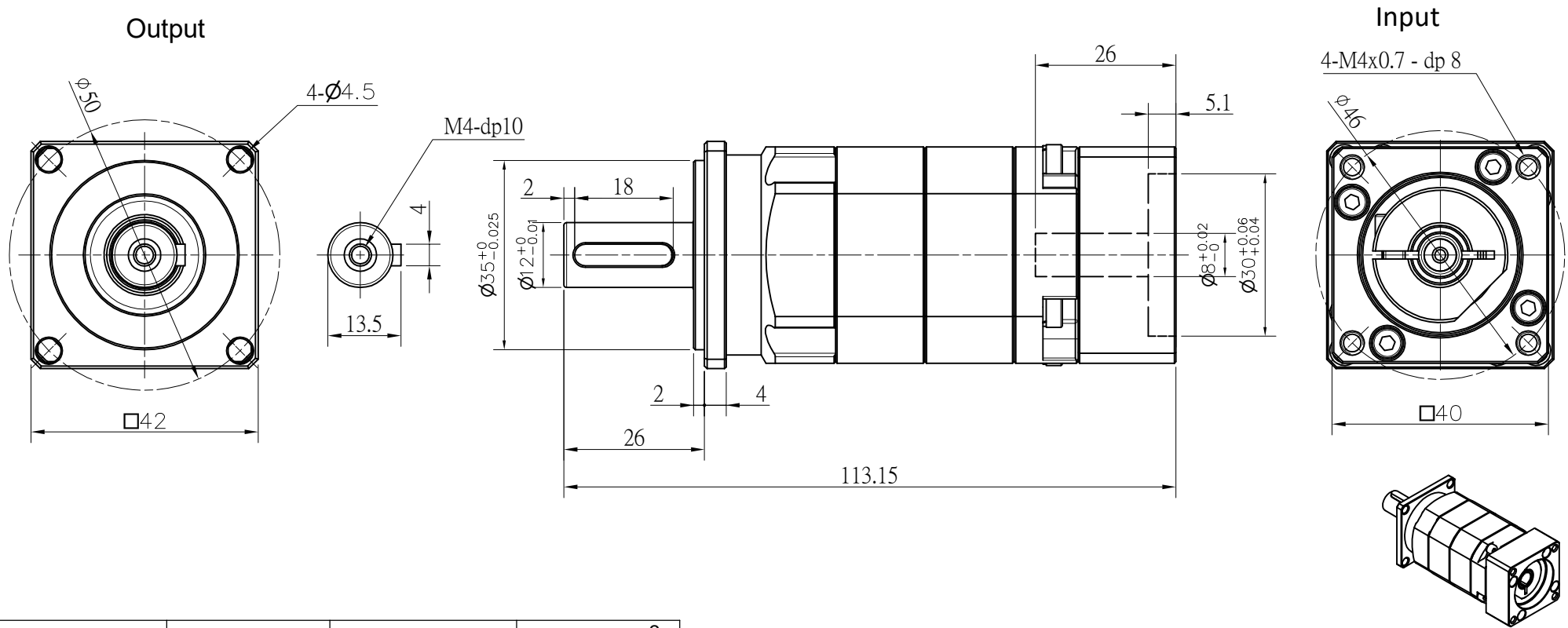


Customer Name:



Transmission Ratio	(<u> A</u>):1	Mass Moments Of Inertia	(<u> \ </u>)Kg.cm ²											
Rated Output Torque	(<u> C</u>)Nm	Max Output Torque	(<u> D</u>)Nm	25	20	60	Sign/Date							
Rated Input Speed	3000rpm	Max Input Speed	\	20	18	54								
Max Radial Force	\	Max Axial Force	\	16	18	54			100		13	39		
Efficiency	≥ 94%	Operating Temperature	-20~+90°	15	19	57			70		17	51		
Mounting Position	Any	Lubrication Method	Synthetic grease	12	19	57			50		20	60		
Weight ±3%	\	Service Life	20000h	9	19	57		35		17	51			
Standard Backlash	≤ 12 arcmin	Protection Class	IP65	Ratio	A	B	C	D	Ratio	A	B	C	D	
Motor Power	-- KW	Noise Level	60dB	Note					Precision Planetary Reducer	GA042				
Motor Dimensions										GA042-L2-A4				
					Mark	No.	Sign	Date		Shaft Type	Precision			

Above specifications are for standard reducer and may be subject to change without notice.