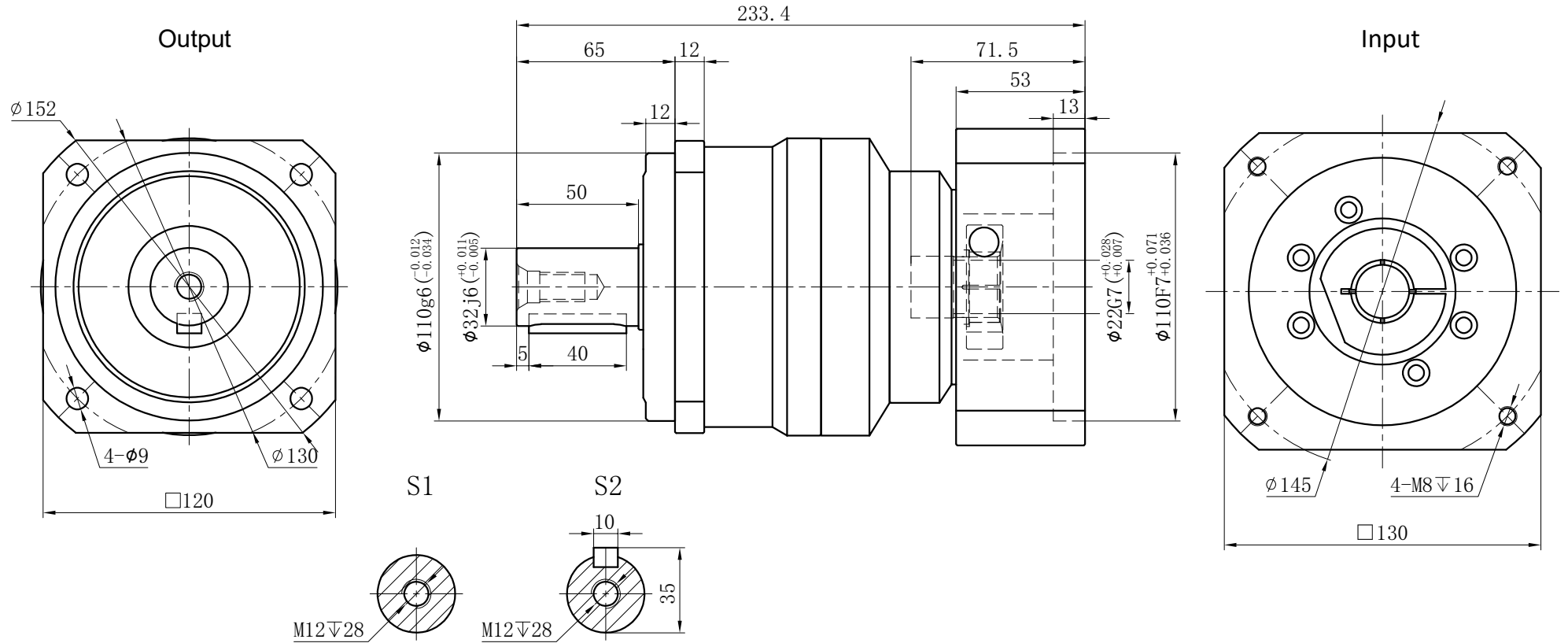


Customer name:



| | | | | | | | | | | | | | | | | |
|---------------------|------------|-------------------------|-------------------------|-------|------|-----|-----|-----------|-------|------|-----|-----|---|--|--|--|
| Transmission ratio | (A):1 | Mass moments of inertia | (B)Kg.cm ² | | | | | | | | | | | | | |
| Rated output torque | (C)Nm | Max.Output torque | (D)Nm | 40 | 0.47 | 255 | 459 | Sign/Date | | | | | | | | |
| Rated input speed | 3000rpm | Max input speed | 6000rpm | 35 | 0.47 | 300 | 540 | | 100 | 0.44 | 220 | 396 | | | | |
| Max.radial force | 6700N | Max.axial force | 3350N | 30 | 0.47 | 310 | 558 | | 80 | 0.44 | 255 | 459 | | | | |
| Efficiency | ≥ 94% | Operating temperature | -20°~+90° | 25 | 0.47 | 320 | 576 | | 70 | 0.44 | 300 | 540 | | | | |
| Mounting position | Any | Lubrication method | Synthetic grease | 20 | 0.47 | 280 | 504 | | 60 | 0.44 | 310 | 558 | | | | |
| Weight ±3% | 9Kg | Service life | 20000h | 15 | 0.47 | 200 | 360 | 50 | 0.44 | 320 | 576 | | | | | |
| Standard backlash | ≤ 7 arcmin | Protection class | IP65 | Ratio | A | B | C | D | Ratio | A | B | C | D | | | |
| Motor power | | Noise level | 63dB | NOTE | | | | | | | | | | | | |
| Motor dimensions | | | | | | | | | | | | | | | | |

| | | | | | |
|-----------------------------|------|------|------|----------------------|--|
| Precision Planetary Reducer | | | | GCB120A | |
| GCB120A-L2 | | | | Shaft Type Precision | |
| | | | | | |
| Mark | No. | Sign | Date | | |
| | DRAW | | | | |
| | CHEC | | | | |
| | APPR | | | | |
| | RULE | | | | |