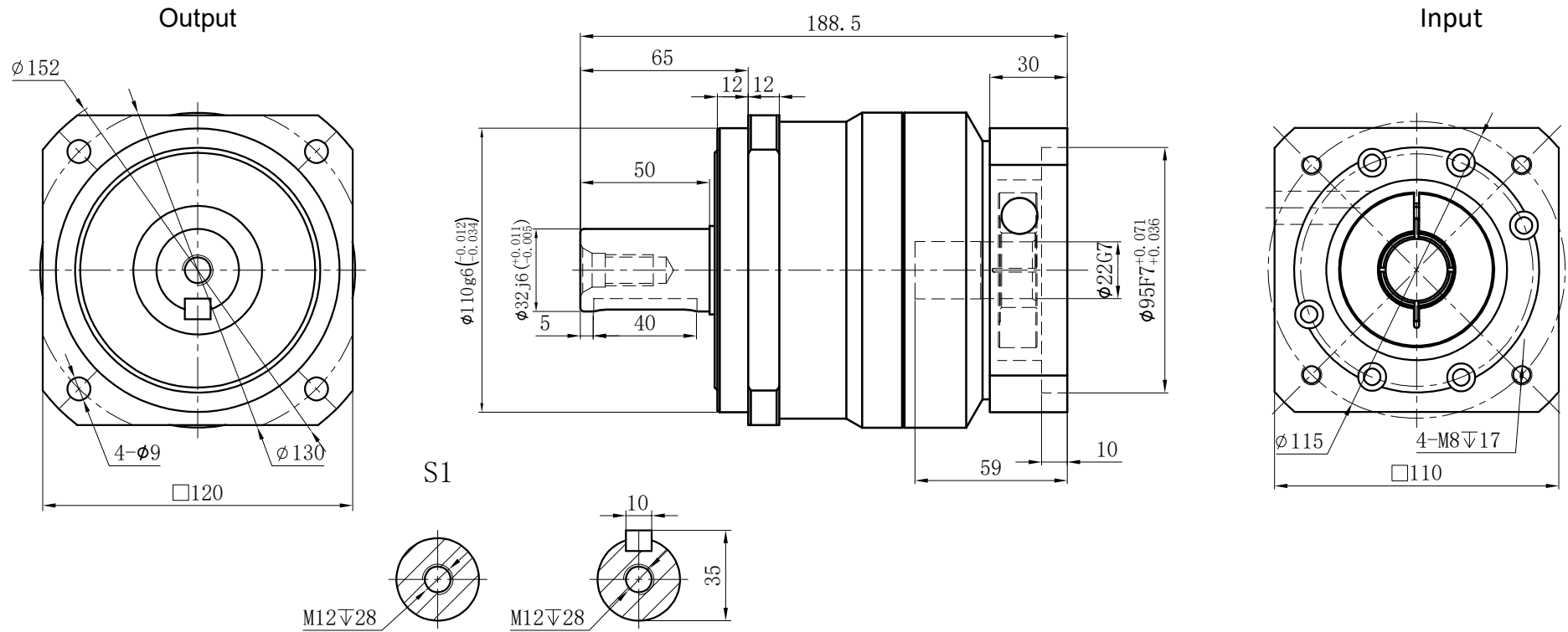


Customer name:



Transmission ratio	( A ):1	Mass moments of inertia	( B )Kg.cm <sup>2</sup>
Rated output torque	( C )Nm	Max.Output torque	( D )Nm
Rated input speed	3000rpm	Max input speed	6000rpm
Max.radial force	6700N	Max.axial force	3350N
Efficiency	≥ 97%	Operating temperature	-20°~+90°
Mounting position	Any	Lubrication method	Synthetic grease
Weight ±3%	--Kg	Service life	20000h
Standard backlash	≤ 5 arcmin	Protection class	IP65
Motor power		Noise level	63dB
Motor dimensions			

	10	2.57	220	396	Sign/Date					
	7	2.62	300	540			8	2.58	255	459
	5	2.71	320	576			6	2.65	310	558
	4	2.74	280	504			3	3.25	200	360
Ratio	A	B	C	D		Ratio	A	B	C	D

**NOTE**  
 $\phi 24$  to  $\phi 22$

Mark	No.	Sign	Date
	DRAW		
	CHEC		
	APPR		
	RULE		

Precision Planetary Reducer

**GCB120A**

**GCB120A-L1**

Shaft Type Precision