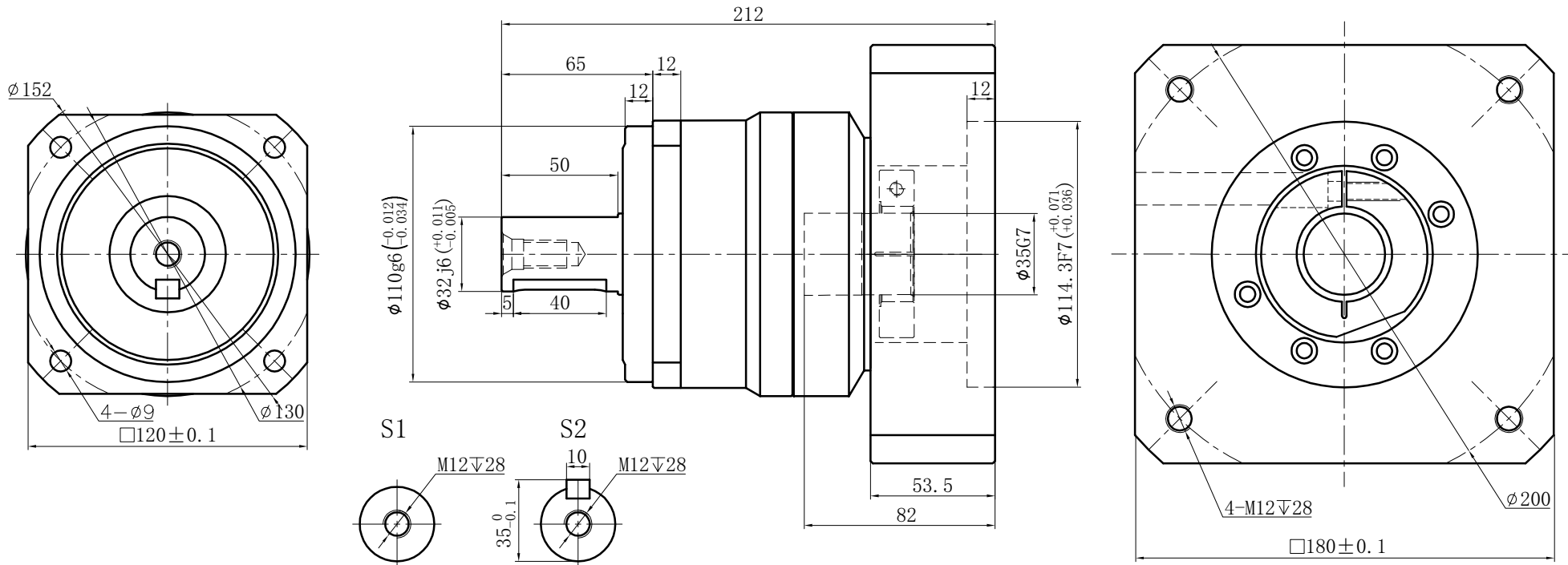


Customer name:

Output

Input



Transmission ratio	(A):1	Mass moments of inertia	(B)Kg.cm ²
Rated output torque	(C)Nm	Max.Output torque	(D)Nm
Rated input speed	3000rpm	Max input speed	6000rpm
Max.radial force	6700N	Max.axial force	3350N
Efficiency	≥ 97%	Operating temperature	-20°~+90°
Mounting position	Any	Lubrication method	Synthetic grease
Weight ±3%	--Kg	Service life	20000h
Standard backlash	≤ 5 arcmin	Protection class	IP65
Motor power		Noise level	63dB
Motor dimensions			

	10	2.57	220	396	Sign/Date					
	7	2.62	300	540			8	2.58	255	459
	5	2.71	320	576			6	2.65	310	558
	4	2.74	280	504						
Ratio	A	B	C	D		Ratio	A	B	C	D

NOTE				Precision Planetary Reducer		GCB120A	
Mark	No.	Sign	Date			GCB120A-L1	
	DRAW					Shaft Type	Precision
	CHEC						
	APPR						
	RULE						