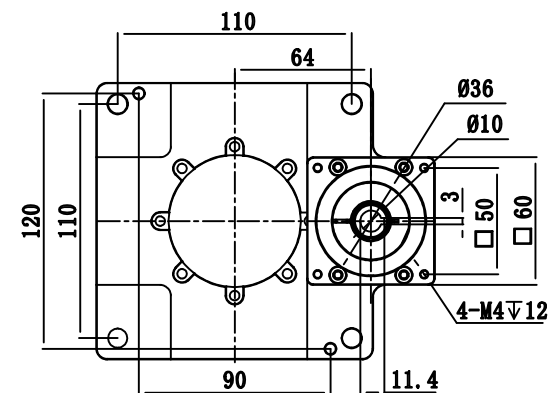
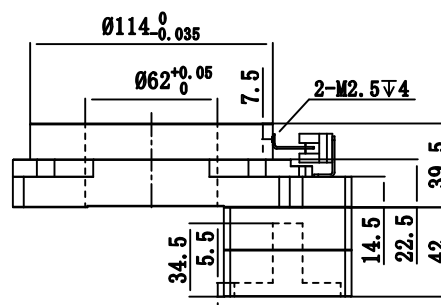
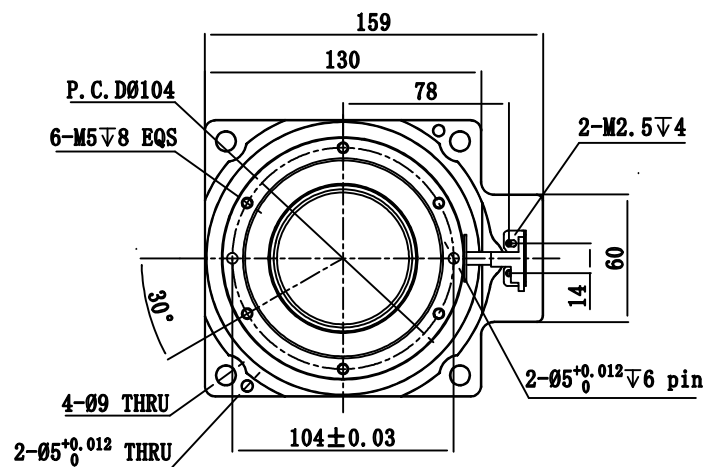


Customer name:



| | | | | | | | | | | | | |
|----------------------------------|-------------------|-------------------------|------------------------------------|----------------------|-----------|------|------|------|------|-----------------------------|------------|-----------|
| Allowable torque | N.m | 32 | Bearing type | Cross roller bearing | Sign/Date | Mark | No. | Sign | Date | Precision Planetary Reducer | GMN130 | |
| Allowable disk output speed | rpm | 200 | Positioning accuracy | arcmin | | | | | | | ≤1 | GMN130-18 |
| Allowable axial load | N | 2000 | Repeat positioning accuracy | arcsec | ≤15 | NOTE | DRAW | CHEC | APPR | RULE | Shaft Type | Precision |
| Allowable moment of inertia load | N.m | 52 | Concentricity of rotating platform | form | ±0.01 | | | | | | GMN130-18 | |
| Moment of inertia | kg.m ² | 110725x10 ⁻⁷ | Mounting parallelism | | ±0.01 | | | | | | | |
| Service life | H | 20000 | Output runout | | ±0.02 | | | | | | | |
| Weight | kg | 2.5 | Protection class | | IP40 | | | | | | | |