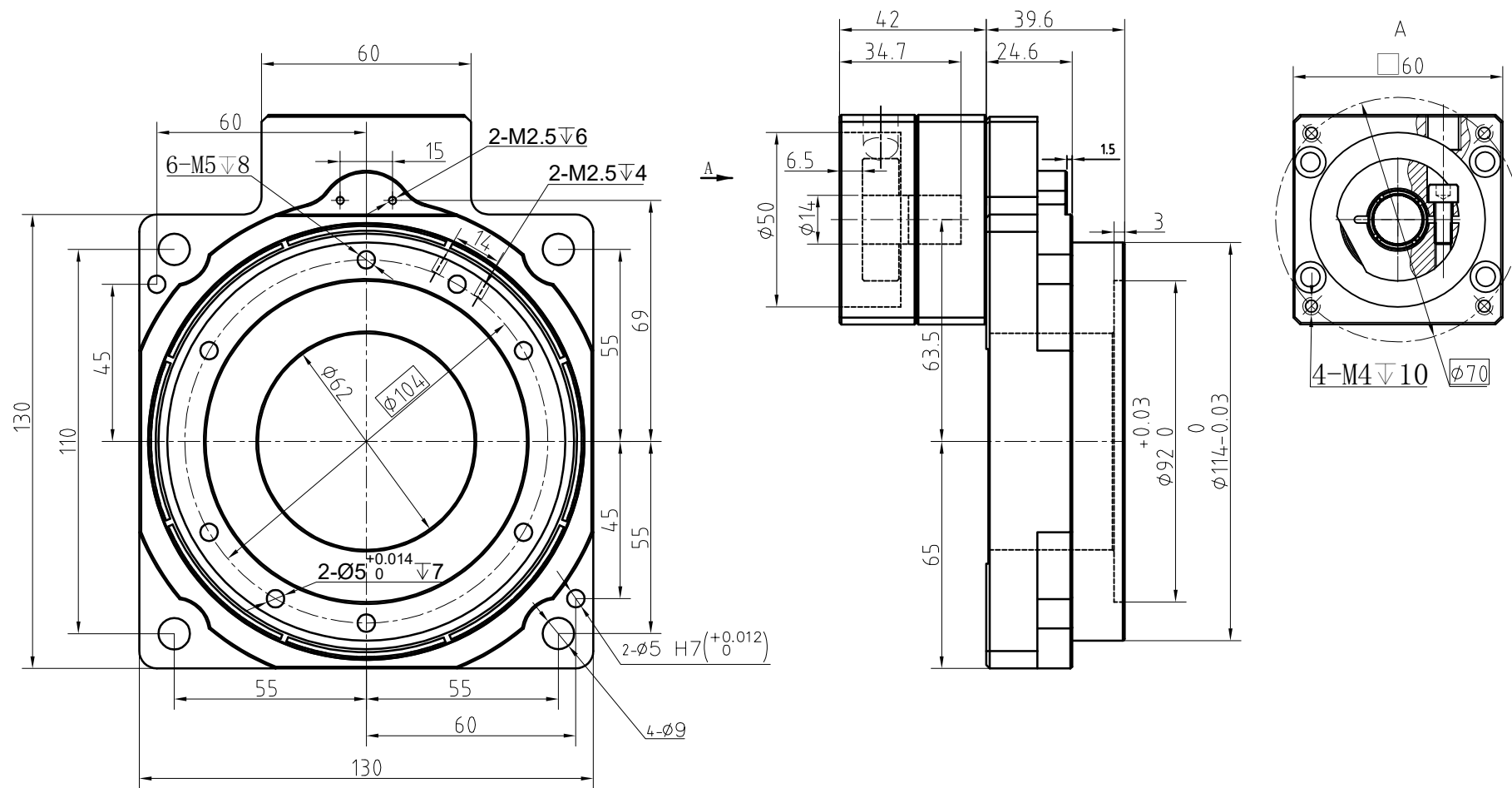


Customer name:



Allowable torque	N.m	32	Bearing type	Cross roller bearing	Sign/Date	Mark	No.	Sign	Date	Precision Planetary Reducer	GMN130	
Allowable disk output speed	rpm	200	Positioning accuracy	arcmin							3	GMN130-10
Allowable axial load	N	2000	Repeat positioning accuracy	arcsec	± 10	NOTE	DRAW	APPR	RULE	G [®] ARKO	Shaft Type	Precision
Allowable moment of inertia load	N.m	57	Concentricity of rotating platform		± 0.01							
Moment of inertia	kg.m ²	110725×10^{-7}	Mounting parallelism		± 0.01							
Service life	H	20000	Output runout		± 0.02							
Weight	kg	2.5	Protection class		IP40							

(Above specifications are for standard reducer and may be subject to change without notice.)