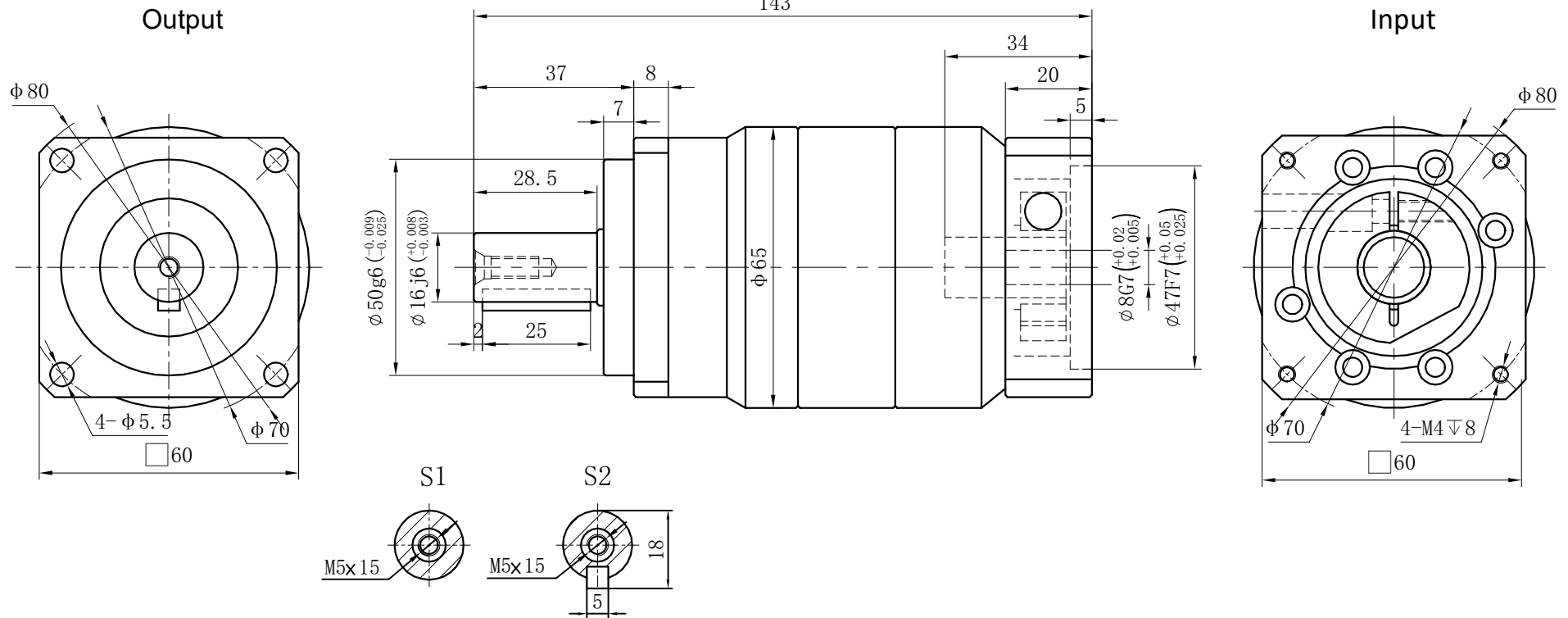


Customer Name:



Transmission Ratio	( <u> A</u> ):1	Mass Moments Of Inertia	( <u> B</u> )Kg.cm <sup>2</sup>																
Rated Output Torque	( <u> C</u> )Nm	Max Output Torque	( <u> D</u> )Nm	40	0.13	45	81	Sign/Date											
Rated Input Speed	3000rpm	Max Input Speed	6000rpm	35	0.13	45	81												
Max Radial Force	1530N	Max Axial Force	765N	30	0.13	50	90												
Efficiency	≥ 94%	Operating Temperature	-20℃ ~ +90℃	25	0.13	55	99												
Mounting Position	Any	Lubrication Method	Synthetic grease	20	0.13	45	81												
Weight ±3%	1.9Kg	Service Life	20000h	15	0.13	40	72	Ratio	A	B	C	D	Ratio	A	B	C	D		
Standard Backlash	≤ 7 arcmin	Protection Class	IP65	Note									Precision Planetary Reducer		GCB060A				
Motor Power	-- KW	Noise Level	58dB					Mark	No.	Sign	Date			GCB060A-L2					
Motor Dimensions														Shaft Type Precision					
														GEARKO					

Above specifications are for standard reducer and may be subject to change without notice.