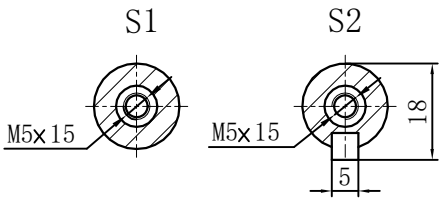
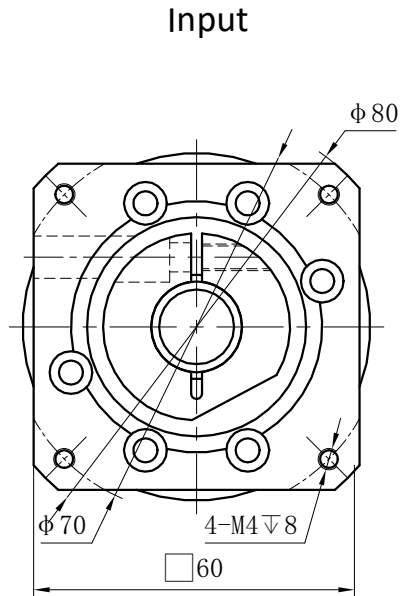
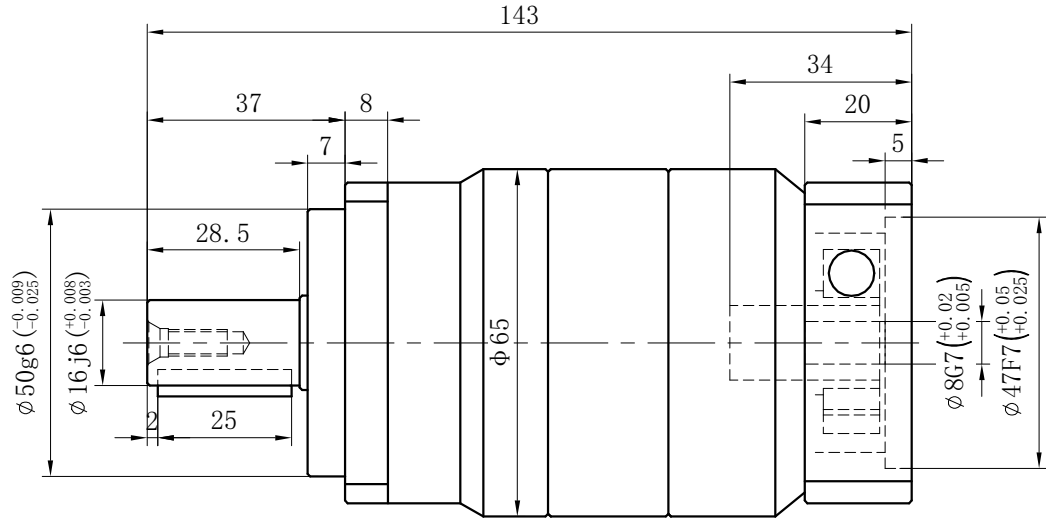
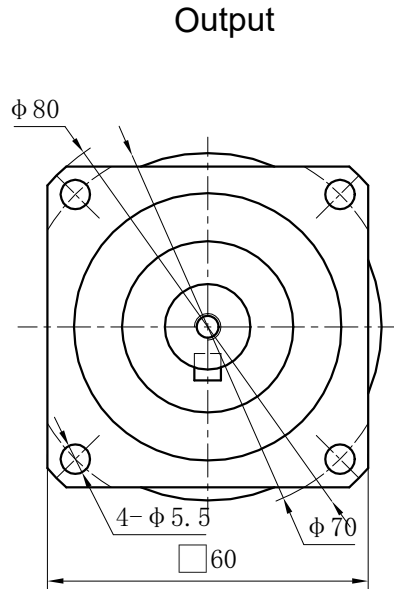


Customer Name:



Transmission Ratio	(A):1	Mass Moments Of Inertia	(B)Kg.cm ²
Rated Output Torque	(C)Nm	Max Output Torque	(D)Nm
Rated Input Speed	3000rpm	Max Input Speed	6000rpm
Max Radial Force	1530N	Max Axial Force	765N
Efficiency	≥ 94%	Operating Temperature	-20℃~+90℃
Mounting Position	Any	Lubrication Method	Synthetic grease
Weight ±3%	1.9Kg	Service Life	20000h
Standard Backlash	≤ 7 arcmin	Protection Class	IP65
Motor Power	-- KW	Noise Level	58dB
Motor Dimensions			

	40	0.13	45	81	Sign/Date					
	35	0.13	45	81						
	30	0.13	50	90						
	25	0.13	55	99						
	20	0.13	45	81						
	15	0.13	40	72						
Ratio	A	B	C	D		Ratio	A	B	C	D

Note						Precision Planetary Reducer	GCB060A	
Mark No. Sign Date							GCB060A-L2	
							Shaft Type Precision	

Above specifications are for standard reducer and may be subject to change without notice.