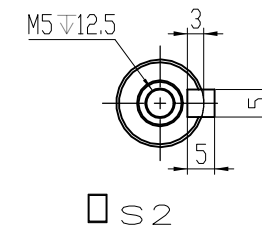
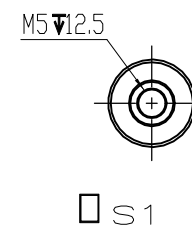
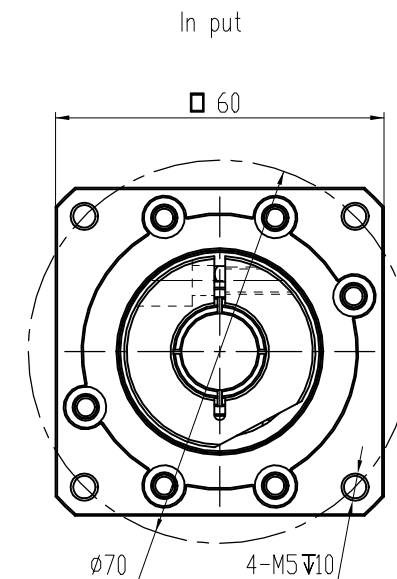
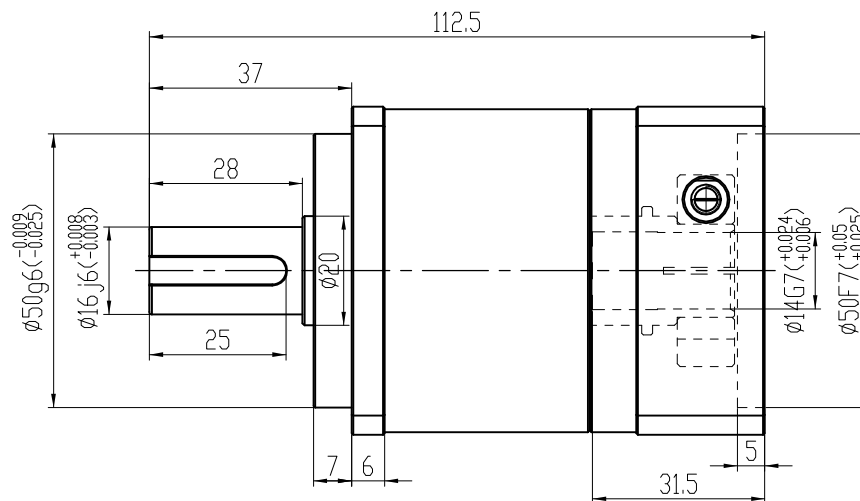
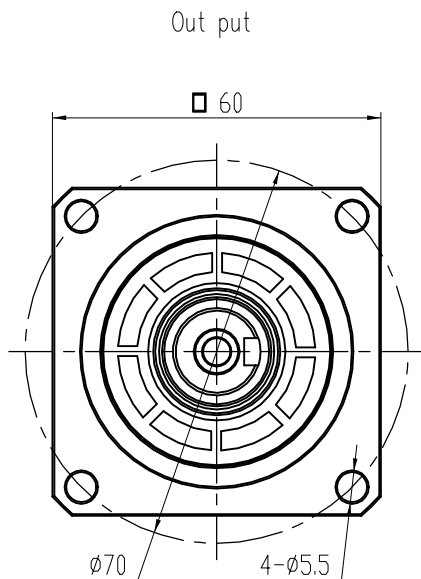




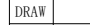

Customer Name:



Transmission ratio	(A) :1	Mass moments of inertia	(B) Kg.cm ²	Ratio	A	B	C	D
Rated output torque	(C) Nm	Max.output torque	(D) Nm		4	0.14	40	60
Rated input speed	3000 rpm	Max input speed	6000 rpm		5	0.13	48	72
Max.radial force	1530 N	Max.axial force	765 N		7	0.13	44	35
Efficiency	≥ 97%	Operating temperature	-20°~+90°		10	0.13	36	54
Weight ±3%	-- kg	Noise level	≤ 56 dB					
Protection class	IP65	Service life	20000 h					
Mounting position	Any	Lubrication method	Synthetic grease					

Backlash P1≤3 arcmin P2≤5 arcmin

Note

Mark	No.	Sign	Date	 Precision planetary reducer GCBK060-L1
				

(Above specification are for standard reducer, No standard reducer only for reference)