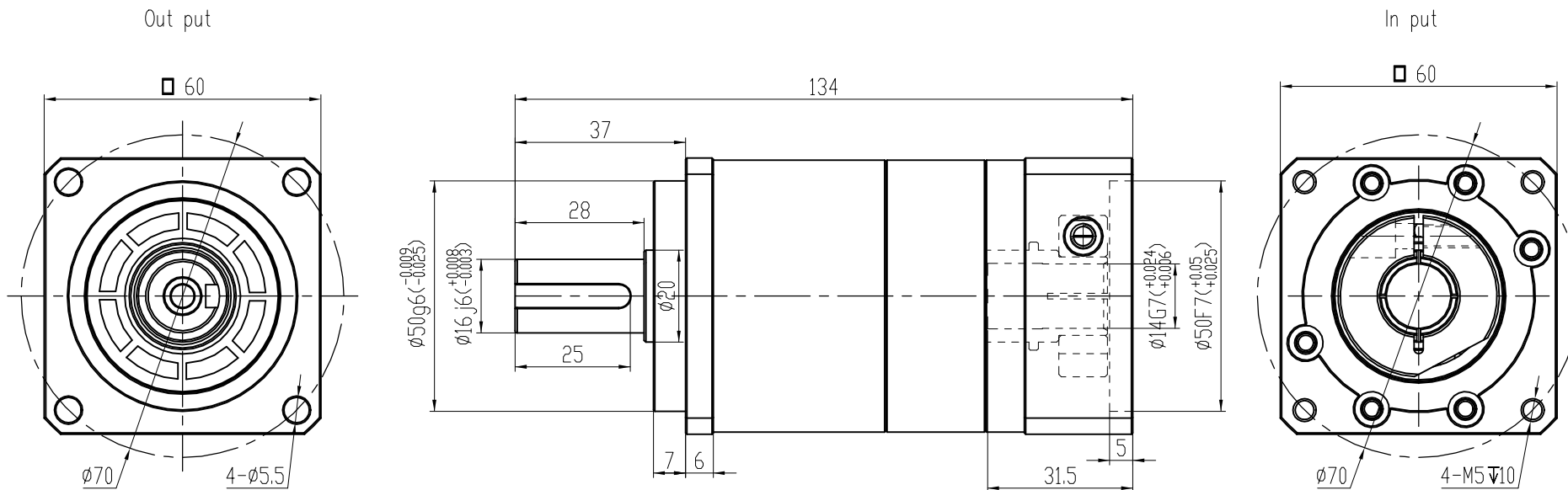
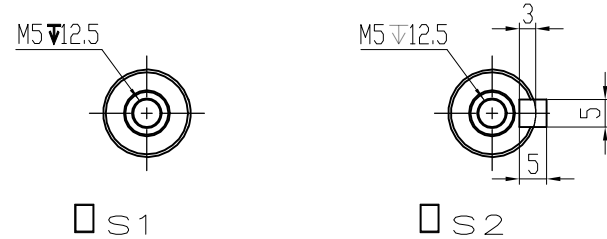


Customer Name:



|                     |          |                         |                          |       |     |      |    |    |
|---------------------|----------|-------------------------|--------------------------|-------|-----|------|----|----|
| Transmission ratio  | ( A ) :1 | Mass moments of inertia | ( B ) Kg.cm <sup>2</sup> | Ratio | A   | B    | C  | D  |
| Rated output torque | ( C ) Nm | Max.output torque       | ( D ) Nm                 |       | 20  | 0.14 | 40 | 60 |
| Rated input speed   | 3000 rpm | Max input speed         | 6000 rpm                 |       | 25  | 0.13 | 48 | 72 |
| Max.radial force    | 1530 N   | Max.axial force         | 765 N                    |       | 35  | 0.13 | 44 | 35 |
| Efficiency          | ≥ 94%    | Operating temperature   | -20°~+90°                |       | 50  | 0.13 | 48 | 72 |
| Weight ±3%          | -- kg    | Noise level             | ≤ 56 dB                  |       | 70  | 0.13 | 44 | 35 |
| Protection class    | IP65     | Service life            | 20000 h                  |       | 100 | 0.13 | 36 | 54 |
| Mounting position   | Any      | Lubrication method      | Synthetic grease         |       |     |      |    |    |



|          |                                      |                                      |                             |
|----------|--------------------------------------|--------------------------------------|-----------------------------|
| Backlash | <input type="checkbox"/> P1≤5 arcmin | <input type="checkbox"/> P2≤7 arcmin |                             |
| Note     |                                      |                                      |                             |
| Mark     | No.                                  | Sign                                 | Date                        |
|          |                                      |                                      |                             |
|          |                                      |                                      | Precision planetary reducer |
|          |                                      |                                      | GCBK060-L2                  |

( Above specification are for standard reducer, No standard reducer only for reference )